

BULLETIN 4840

November 2009

Twin City Fan & Blower

LOW PROFILE UPBLAST PROPELLER ROOF VENTILATORS

TYPE LPUB/LPUD



LPUB/LPUD Low Profile Upblast Propeller Roof Ventilators

Twin City Fan & Blower Low Profile Roof Ventilators provide cost effective, general-purpose ventilation of commercial buildings, with a pleasing low profile design that minimizes extension above the roof line. Belt and direct drive models are available with adjustable pitch, cast aluminum or fixed pitch, fabricated steel propellers to meet specific application requirements.

- Direct drive sizes 14" to 48"
- Belt drive sizes 21" to 60"
- Capacities from 1,600 CFM to 46,125 CFM
- Static pressure to 1" w.g.

Type LPUB and LPUD (Upblast)

Upblast models LPUB and LPUD feature a heavy-duty discharge cap with butterfly dampers to discharge air upward and prevent recirculation into the building. A splash guard located over the damper pivot area protects against rain entry. Motors and drives are positioned below the roof opening for easy access from inside the building, or a hinged base option is available for easy access from above the roof.

Construction Features

- Adjustable pitch cast aluminum or fixed pitch fabricated steel propellers.
- LPUB and LPUD upblast models feature a heavy gauge painted steel discharge cap with aluminum (sizes 14" to 36") or galvanized steel (sizes 42" to 60") butterfly dampers.
- Heavy-duty curb base features deep spun inlet venturi for efficient airflow and prepunched mounting holes for easy installation.
- Structural, galvanized steel frame provides strong support and mounting base for motor and drive.

Accessories

- Bird screen/guard
- Fusible link damper springs
- Magnetic damper latches
- Motorside guard
- Hinged base (up to size 36)
- Extended lube lines (belted fans)
- Prefabricated roof curbs
- Disconnect switches
- Special coatings

Engineering Data

Material Specifications

FAN SIZE	WIND BAND	CURB CAP	GAUGES				SHAFT SIZE (IN.)		
			PROPELLERS						
			E	C	Z				
			HUB	BLADE					
14	20	18	DIE CAST ALUM.						
16	20	18							
18	20	18							
21	20	18					1		
24	20	16					12	14	1
30	18	16					12	14	1
36	18	16					12	12	1
42	18	16					10	10	1 3/16
48	18	16					10	10	1 3/16
54	18	14				CAST ALUM.	7	10	1 3/16
60	18	14			7	10	1 1/2		

Shipping Weights

FAN SIZE	LPUB		LPUD	
	STL	ALUM	STL	ALUM
14	N/A	N/A	N/A	63
16	N/A	N/A	N/A	74
18	N/A	N/A	N/A	88
21	N/A	157	N/A	157
24	217	196	217	196
30	319	298	319	298
36	402	379	402	379
42	511	491	511	491
48	763	765	763	765
54	919	878	N/A	N/A
60	1082	1044	N/A	N/A

NOTE: Material designated above is propeller construction.



All models are UL/cUL 705 listed, for electrical, File No. E158680.

©2009 Twin City Fan Companies, Ltd. All rights reserved throughout the world.

Bulletin illustrations cover the general appearance of Twin City Fan & Blower products at the time of publication and we reserve the right to make changes in design and construction at any time without notice.

Propellers

Twin City Fan & Blower propeller roof ventilators are available with either fixed pitch fabricated steel or adjustable pitch cast aluminum propellers. Each propeller type is designed for a wide variety of commercial market applications with static pressure capabilities from 0" to 1". Regardless of the application requirement, Twin City Fan & Blower propellers offer the right choice.

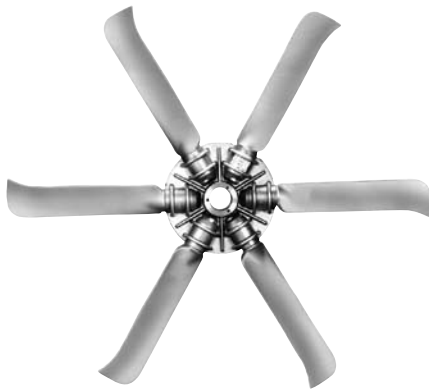
Propeller Availability

FAN SIZE	LPUB	LPUD
14	—	E
16	—	E
18	—	E
21	E	E
24	E/Z	E/Z
30	E/Z	E/Z
36	E/Z	E/Z
42	E/Z	E/Z
48	E/Z	E/Z
54	C/Z	—
60	C/Z	—



“E” Die Cast Aluminum Propeller

The “E” series features an adjustable pitch die cast aluminum propeller available in 4 and 8 blade designs. Blade angles are factory set and mounted in a die cast aluminum hub. “E” propellers are available in 14" through 48" diameters.



“C” Cast Aluminum Propellers

The “C” series is a cast aluminum propeller available in 4 and 6 blade designs, and is available in 54" and 60" diameters only. Blade angles are factory set and mounted in a cast aluminum hub.



“Z” Fabricated Steel Propeller

The “Z” series features a fixed pitch, fabricated steel, 5-bladed propeller. Steel blades are continuously welded to a heavy gauge hub at the customer’s selected blade angle. “Z” propellers are available in 24" through 60" diameters.

Performance Data – Belt Driven

LPUB – Die Cast Aluminum Propeller

SIZE	NO. OF BLADES	PROP	MOTOR HP	FAN RPM	MAX. BHP	LwiA	CFM/STATIC PRESSURE (IN. W.G.)											
							0.000	0.100	0.125	0.150	0.200	0.250	0.300	0.375	0.500	0.625	0.750	1.000
							CFM	CFM	CFM	CFM	CFM	CFM	CFM	CFM	CFM	CFM	CFM	CFM
21	4 BLADES	LPUB-21E432	1/4	995	0.25	69	3592	3131	2989	2826								
		LPUB-21E428	1/4	1064	0.25	71	3607	3143	3017	2884	2597							
		LPUB-21E420	1/4	1243	0.25	73	3482	3070	2971	2869	2636	2348						
		LPUB-21E432	1/3	1096	0.33	71	3957	3550	3431	3302	2995							
		LPUB-21E428	1/3	1170	0.33	74	3966	3549	3438	3323	3079	2801						
		LPUB-21E420	1/3	1368	0.33	76	3832	3457	3365	3274	3085	2865	2601					
		LPUB-21E432	1/2	1255	0.50	75	4531	4186	4089	3988	3765	3501						
		LPUB-21E428	1/2	1340	0.50	77	4543	4183	4088	3992	3793	3580	3357					
		LPUB-21E420	1/2	1567	0.50	80	4389	4062	3980	3899	3741	3577	3393	3073				
	LPUB-21E432	3/4	1436	0.75	79	5184	4889	4809	4726	4550	4357	4138	3732					
	LPUB-21E428	3/4	1534	0.75	81	5200	4889	4808	4726	4558	4385	4203	3917					
	LPUB-21E420	3/4	1793	0.75	83	5022	4736	4665	4593	4451	4313	4173	3942	3478				
	8 BLADES	LPUB-21E832	1/4	866	0.25	68	3491	3080	2970	2844								
		LPUB-21E832	1/3	952	0.33	71	3838	3469	3370	3269	3013							
LPUB-21E832		1/2	1091	0.50	75	4398	4082	3998	3911	3735	3525							
LPUB-21E832		3/4	1249	0.75	79	5035	4763	4691	4618	4467	4315	4148						
24	4 BLADES	LPUB-24E432	1/3	939	0.33	75	4873	4311	4132	3935	3512							
		LPUB-24E424	1/3	1085	0.33	78	4721	4285	4156	4015	3698	3323	2847					
		LPUB-24E416	1/3	1315	0.33	85	4421	4030	3923	3810	3568	3286	2976	2473				
		LPUB-24E432	1/2	1075	0.50	78	5579	5107	4970	4820	4481	4123						
		LPUB-24E424	1/2	1247	0.50	82	5426	5057	4955	4846	4605	4332	4027	3465				
		LPUB-24E416	1/2	1510	0.50	90	5077	4742	4653	4561	4367	4157	3926	3530	2804			
		LPUB-24E432	3/4	1230	0.75	82	6384	5982	5870	5753	5495	5200	4894					
		LPUB-24E424	3/4	1426	0.75	86	6205	5889	5803	5715	5527	5317	5086	4702	3889			
		LPUB-24E416	3/4	1728	0.75	94	5810	5521	5445	5368	5207	5039	4860	4569	3997	3372		
	LPUB-24E432	1	1354	1.00	85	7027	6667	6569	6468	6252	6010	5741	5323					
	LPUB-24E424	1	1570	1.00	89	6831	6547	6472	6394	6232	6057	5867	5549	4939	4143			
	LPUB-24E416	1	1902	1.00	96	6395	6134	6067	5998	5856	5709	5555	5311	4848	4316	3745		
	8 BLADES	LPUB-24E832	1/3	798	0.33	73	4664	4157	4027	3892	3529							
		LPUB-24E832	1/2	913	0.50	76	5336	4898	4783	4669	4434	4130						
LPUB-24E832		3/4	1046	0.75	80	6114	5735	5637	5536	5337	5134	4898						
LPUB-24E832		1	1152	1.00	83	6733	6391	6303	6214	6031	5851	5667	5338					
30	4 BLADES	LPUB-30E432	1/2	698	0.50	75	7718	6677	6428	6171	5644							
		LPUB-30E424	1/2	801	0.50	78	7442	6651	6442	6228	5782	5303	4684					
		LPUB-30E416	1/2	962	0.50	86	6849	6271	6113	5946	5593	5232	4851	4154				
		LPUB-30E432	3/4	799	0.75	78	8835	7917	7696	7479	7032	6578	5979					
		LPUB-30E424	3/4	917	0.75	81	8520	7836	7657	7476	7104	6715	6313	5583				
		LPUB-30E416	3/4	1102	0.75	90	7846	7349	7217	7081	6793	6485	6170	5687	4689	3495		
		LPUB-30E432	1	880	1.00	81	9730	8894	8689	8489	8094	7683	7273	6399				
		LPUB-30E424	1	1009	1.00	84	9375	8756	8596	8434	8104	7763	7408	6856	5594			
		LPUB-30E416	1	1213	1.00	92	8637	8189	8071	7951	7701	7435	7155	6726	5964	5005	3910	
	LPUB-30E432	1½	1008	1.50	84	11145	10412	10232	10053	9702	9358	9005	8466	7192				
	LPUB-30E424	1½	1155	1.50	88	10731	10194	10057	9918	9635	9347	9052	8593	7788	6741			
	LPUB-30E416	1½	1388	1.50	96	9883	9495	9394	9292	9082	8865	8637	8275	7652	6997	6205	4336	
	LPUB-30E432	2	1109	2.00	86	12262	11594	11429	11266	10941	10625	10312	9829	9002				
	LPUB-30E424	2	1271	2.00	90	11809	11323	11199	11074	10820	10562	10300	9897	9195	8445	7482		
LPUB-30E416	2	1527	1.99	99	10872	10522	10431	10340	10153	9961	9763	9451	8896	8327	7730	6238		
8 BLADES	LPUB-30E832	1/2	596	0.50	73	7309	6430	6215	5993	5496								
	LPUB-30E832	3/4	683	0.75	76	8376	7607	7416	7229	6843	6413	5858						
	LPUB-30E832	1	751	1.00	79	9210	8511	8336	8162	7821	7463	7069						
	LPUB-30E832	1½	860	1.50	83	10546	9937	9784	9631	9327	9029	8725	8223					
	LPUB-30E832	2	947	2.00	86	11613	11060	10922	10783	10505	10230	9960	9543	8766				

NOTES:

- Performance shown is for installation Type A: Free inlet, free outlet.
- Power rating (BHP) does not include drive losses.
- Performance ratings do not include the effects of appurtenances in the airstream.
- The sound power ratings shown are in decibels, referred to 10⁻¹² watts calculated per AMCA Standard 301.
- Values shown are for inlet LwiA sound power levels for installation Type A: Free inlet, free outlet. Ratings do not include the effects of end correction.
- Sound power values shown are at the peak cataloged pressure for each RPM.

Performance Data – Belt Driven

LPUB – Die Cast Aluminum Propeller

SIZE	NO. OF BLADES	PROP	MOTOR HP	FAN RPM	MAX. BHP	LwiA	CFM/STATIC PRESSURE (IN. W.G.)															
							0.000	0.100	0.125	0.150	0.200	0.250	0.300	0.375	0.500	0.625	0.750	1.000				
							CFM	CFM	CFM	CFM	CFM	CFM	CFM	CFM	CFM	CFM	CFM	CFM	CFM			
36	4 BLADES	LPUB-36E432	3/4	667	0.75	79	11814	10428	10042	9635	8764	7414										
		LPUB-36E428	3/4	715	0.75	79	11448	10302	9981	9643	8894	7984										
		LPUB-36E420	3/4	863	0.75	88	10750	9797	9533	9255	8654	7987	7264	6061								
		LPUB-36E432	1	735	1.00	81	13018	11779	11442	11091	10341	9534	8307									
		LPUB-36E428	1	788	1.00	82	12617	11593	11313	11022	10398	9698	8871									
		LPUB-36E420	1	950	1.00	91	11834	10980	10749	10509	9995	9439	8830	7841	5828							
		LPUB-36E432	1½	842	1.50	85	14914	13849	13566	13275	12667	12016	11333	10033								
		LPUB-36E428	1½	902	1.50	85	14442	13562	13327	13086	12581	12040	11450	10442								
		LPUB-36E420	1½	1088	1.50	94	13553	12819	12624	12424	12007	11562	11087	10316	8882	7197	5188					
	LPUB-36E432	2	925	1.99	87	16384	15423	15170	14912	14378	13816	13222	12283									
	LPUB-36E428	2	992	1.99	87	15883	15090	14881	14667	14225	13759	13265	12455	10763								
	LPUB-36E420	2	1196	1.99	97	14899	14236	14062	13885	13518	13134	12727	12076	10866	9534	7988						
	LPUB-36E432	3	1060	3.00	90	18775	17944	17729	17510	17061	16596	16114	15352	13988	11953							
	LPUB-36E428	3	1136	2.99	90	18188	17503	17324	17143	16772	16386	15986	15353	14180	12768							
	LPUB-36E420	3	1370	2.99	101	17066	16492	16344	16193	15885	15566	15236	14713	13770	12724	11587	8944					
	8 BLADES	LPUB-36E832	3/4	572	0.75	76	11025	9956	9655	9338	8581	7292										
		LPUB-36E832	1	629	1.00	79	12124	11168	10904	10630	10038	9301	8122									
		LPUB-36E832	1½	721	1.50	83	13897	13078	12859	12632	12156	11646	11057	9839								
LPUB-36E832		2	793	2.00	85	15285	14548	14353	14153	13736	13298	12833	12015									
LPUB-36E832		3	908	2.99	88	17502	16865	16699	16529	16181	15819	15442	14847	13666	11729							
42	4 BLADES	LPUB-42E432	1	518	1.00	78	15393	13390	12894	12382	11318	9463										
		LPUB-42E428	1	554	1.00	78	15042	13397	12985	12567	11634	10489										
		LPUB-42E420	1	650	1.00	84	14141	12857	12507	12142	11362	10501	9544									
		LPUB-42E432	1½	593	1.50	80	17622	15868	15433	15002	14111	13193	12030									
		LPUB-42E428	1½	634	1.50	82	17214	15783	15418	15057	14329	13522	12597	10660								
		LPUB-42E420	1½	745	1.50	87	16207	15106	14813	14511	13878	13202	12476	11270								
	8 BLADES	LPUB-42E432	2	653	2.00	83	19405	17812	17414	17019	16233	15413	14582	12900								
		LPUB-42E428	2	697	1.99	84	18924	17626	17296	16965	16309	15638	14900	13616								
		LPUB-42E420	2	818	1.99	90	17796	16801	16539	16272	15717	15132	14513	13513	11604							
		LPUB-42E432	3	747	2.99	87	22198	20806	20458	20109	19418	18732	18029	16940	14465							
		LPUB-42E428	3	798	2.99	87	21666	20536	20250	19963	19384	18811	18234	17305	15445							
		LPUB-42E420	3	938	3.00	95	20406	19547	19324	19097	18632	18151	17649	16857	15411	13769	11846					
48	4 BLADES	LPUB-48E428	1½	558	1.49	82	21177	19232	18694	18131	16898	15476	13463									
		LPUB-48E420	1½	674	1.50	89	19902	18284	17841	17377	16378	15285	14079	12140	7993							
		LPUB-48E432	2	573	2.00	84	24057	21949	21379	20789	19536	18198	16572									
		LPUB-48E428	2	614	1.99	85	23303	21559	21087	20597	19557	18405	17106	14227								
		LPUB-48E420	2	741	2.00	92	21880	20427	20037	19633	18775	17848	16850	15199	12091	8185						
		LPUB-48E432	3	656	3.00	87	27542	25726	25246	24754	23729	22641	21488	19579								
	8 BLADES	LPUB-48E428	3	703	2.99	89	26680	25181	24783	24375	23524	22621	21649	20025	15900							
		LPUB-48E420	3	848	2.99	96	25040	23787	23457	23119	22417	21671	20879	19606	17218	14568	11142					
		LPUB-48E432	5	778	5.00	91	32664	31153	30760	30361	29541	28691	27807	26404	23876							
		LPUB-48E428	5	833	4.98	92	31614	30365	30040	29709	29030	28324	27589	26421	24238	21473						
		LPUB-48E420	5	1006	5.00	101	29705	28662	28392	28117	27554	26971	26366	25406	23670	21728	19639	14548				
		LPUB-48E832	1½	446	1.50	78	20377	18562	18055	17526	16326	14657										
LPUB-48E832	2	491	2.00	81	22433	20810	20366	19905	18927	17780	16251											
LPUB-48E832	3	562	2.99	85	25677	24282	23910	23527	22726	21879	20941	19153										
LPUB-48E832	5	666	4.97	90	30429	29269	28966	28657	28020	27355	26664	25565	23306									

NOTES:

1. Performance shown is for installation Type A: Free inlet, free outlet.
2. Power rating (BHP) does not include drive losses.
3. Performance ratings do not include the effects of appurtenances in the airstream.
4. The sound power ratings shown are in decibels, referred to 10⁻¹² watts calculated per AMCA Standard 301.
5. Values shown are for inlet LwiA sound power levels for installation Type A: Free inlet, free outlet. Ratings do not include the effects of end correction.
6. Sound power values shown are at the peak cataloged pressure for each RPM.

Performance Data – Belt Driven

LPUB – Cast Aluminum Propeller

SIZE	NO. OF BLADES	PROP	MOTOR HP	FAN RPM	MAX. BHP	LwiA	CFM/STATIC PRESSURE (IN. W.G.)												
							0.000	0.100	0.125	0.150	0.200	0.250	0.300	0.375	0.500	0.625	0.750	1.000	
							CFM	CFM	CFM	CFM	CFM	CFM	CFM	CFM	CFM	CFM	CFM	CFM	
54	4	LPUB-54C320	1½	526	1.50	75	26818	22329	21285	20236	17823	14467							
		LPUB-54C310	1½	651	1.51	83	25989	22317	21508	20671	18923	16881	14608						
		LPUB-54C320	2	578	1.99	78	29469	25309	24377	23425	21494	19127	16026						
		LPUB-54C310	2	716	2.00	87	28583	25173	24426	23691	22156	20541	18666	15556					
		LPUB-54C320	3	662	3.00	81	33752	30026	29189	28375	26720	25047	23171	19470					
		LPUB-54C310	3	819	3.00	91	32695	29645	28951	28290	27002	25662	24280	21967	17455				
	6	4	LPUB-54C320	5	785	5.00	86	40023	36815	36063	35336	33946	32569	31157	29009	24332			
			LPUB-54C310	5	971	4.98	93	38763	36139	35523	34922	33779	32690	31597	29881	26808	23078		
			LPUB-54C625	1½	396	1.49	74	26045	22011	21072	20047	17740	14904						
			LPUB-54C620	1½	430	1.50	76	25863	22313	21426	20504	18532	16492	13822					
			LPUB-54C610	1½	533	1.49	85	24513	21147	20481	19815	18427	17013	15557	13336				
			LPUB-54C625	2	436	1.99	76	28676	24941	24108	23254	21360	19172	16576					
		6	2	LPUB-54C620	2	473	2.00	78	28449	25217	24416	23609	21908	20089	18237	14370			
				LPUB-54C610	2	587	2.00	88	26997	23827	23198	22595	21370	20105	18821	16837	13276		
			3	LPUB-54C625	3	499	2.99	80	32819	29479	28721	27991	26505	24860	23053	19788			
				LPUB-54C620	3	541	2.99	81	32539	29713	29006	28305	26896	25416	23849	21432			
				LPUB-54C610	3	672	3.00	91	30906	28022	27416	26856	25795	24731	23629	21957	19076	16049	
				LPUB-54C625	5	592	4.99	85	38936	36073	35394	34731	33480	32251	30947	28816	24577		
LPUB-54C620	5	642	4.98	86	38614	36234	35638	35042	33854	32674	31471	29564	26195	22501					
LPUB-54C610	5	797	5.00	94	36655	34127	33571	33038	32055	31147	30263	28898	26562	24160	21711				
60	4	LPUB-60C325	2	481	2.01	81	30826	27267	26038	24652	21475								
		LPUB-60C320	2	524	2.00	85	32016	28731	27650	26385	23356	19731							
		LPUB-60C310	2	647	1.99	90	32576	28836	27779	26678	24414	22031							
		LPUB-60C325	3	550	3.01	85	35248	32292	31401	30380	27996	25288							
		LPUB-60C320	3	600	3.00	87	36659	33914	33106	32211	30055	27468	24431						
		LPUB-60C310	3	741	3.00	94	37309	34111	33245	32338	30427	28459	26408	23178					
		LPUB-60C325	5	652	5.01	89	41785	39389	38717	38006	36404	34477	32382	28677					
		LPUB-60C320	5	711	4.99	91	43441	41206	40586	39935	38506	36805	34841	31346					
		LPUB-60C310	5	878	4.98	98	44207	41555	40856	40141	38647	37060	35421	32901	28463				
	6	2	LPUB-60C325	7½	747	7.54	93	47874	45826	45270	44693	43464	42088	40488	37802	32451			
			LPUB-60C320	7½	814	7.49	95	49735	47819	47303	46770	45640	44408	43002	40533	35507			
			LPUB-60C310	7½	1005	7.48	101	50602	48308	47711	47105	45859	44560	43195	41064	37399	33538		
		3	LPUB-60C625	2	394	1.99	82	32435	28713	27612	26384	23059							
			LPUB-60C620	2	429	1.99	83	32478	28865	27712	26479	24197	21582						
			LPUB-60C610	2	531	1.99	90	30228	27434	26638	25776	23969	22145	20228	17048				
			LPUB-60C625	3	451	2.99	85	37128	33978	33089	32150	30041	27202	23782					
			LPUB-60C620	3	491	2.99	86	37172	34129	33259	32291	30156	28164	26089					
			LPUB-60C610	3	608	2.99	94	34612	32225	31575	30897	29410	27828	26250	23786	19163			
5	LPUB-60C625	5	535	4.99	89	44043	41459	40759	40033	38496	36813	34871	30960						
	LPUB-60C620	5	582	4.99	93	44061	41569	40890	40183	38641	36871	35083	32594	27324					
	LPUB-60C610	5	721	4.98	98	41044	39070	38547	38011	36894	35684	34379	32380	28983	25323				
7½	LPUB-60C625	7½	613	7.50	93	50464	48242	47653	47050	45791	44456	43035	40640	35100					
	LPUB-60C620	7½	666	7.46	96	50421	48278	47707	47120	45892	44560	43061	40687	37034	32577				
	LPUB-60C610	7½	825	7.46	101	46965	45258	44813	44359	43426	42453	41424	39751	36841	33888	30770			

NOTES:

1. Performance shown is for installation Type A: Free inlet, free outlet.
2. Power rating (BHP) does not include drive losses.
3. Performance ratings do not include the effects of appurtenances in the airstream.
4. The sound power ratings shown are in decibels, referred to 10⁻¹² watts calculated per AMCA Standard 301.
5. Values shown are for inlet LwiA sound power levels for installation Type A: Free inlet, free outlet. Ratings do not include the effects of end correction.
6. Sound power values shown are at the peak cataloged pressure for each RPM.

Performance Data – Belt Driven

LPUB – Fabricated Steel Propeller

SIZE	PROP	MOTOR HP	FAN RPM	MAX. BHP	LwiA	CFM/STATIC PRESSURE (IN. W.G.)													
						0.000	0.100	0.125	0.150	0.200	0.250	0.300	0.375	0.500	0.625	0.750	1.000		
						CFM	CFM	CFM	CFM	CFM	CFM	CFM	CFM	CFM	CFM	CFM	CFM		
24	LPUB-24Z545	1/3	745	0.33	72	4638	3973												
	LPUB-24Z535	1/3	867	0.33	75	4755	4158	4044	3929	3643	3202								
	LPUB-24Z545	1/2	854	0.50	76	5316	4764	4599	4401										
	LPUB-24Z535	1/2	995	0.50	79	5457	4909	4799	4698	4498	4256	3942							
	LPUB-24Z545	3/4	978	0.75	80	6088	5629	5492	5348	5009									
	LPUB-24Z535	3/4	1136	0.75	83	6230	5735	5627	5527	5349	5175	4979	4601						
30	LPUB-30Z545	1	1076	1.00	82	6698	6291	6174	6049	5787									
	LPUB-30Z535	1	1251	1.00	85	6860	6402	6301	6203	6026	5867	5709	5437	4787					
	LPUB-30Z545	1/2	659	0.49	73	7509	6249												
	LPUB-30Z535	1/2	782	0.50	79	7524	6742	6529	6307	5837	5307								
	LPUB-30Z545	3/4	754	0.74	77	8592	7536	7230	6829										
	LPUB-30Z535	3/4	895	0.75	82	8612	7939	7760	7576	7190	6779	6354							
36	LPUB-36Z545	1	830	1.00	79	9458	8518	8255	7976										
	LPUB-36Z535	1	985	1.00	84	9478	8872	8713	8550	8212	7857	7482	6893						
	LPUB-36Z545	1 1/2	951	1.50	83	10837	10039	9818	9588	9107	8389								
	LPUB-36Z535	1 1/2	1128	1.50	88	10854	10330	10194	10056	9772	9478	9173	8690	7829					
	LPUB-36Z545	2	1047	2.00	85	11931	11217	11023	10821	10404	9952	9297							
	LPUB-36Z535	2	1241	1.99	91	11941	11467	11345	11222	10969	10710	10442	10024	9285	8461				
42	LPUB-42Z545	3/4	556	0.74	74	10948	9166												
	LPUB-42Z535	3/4	660	0.75	80	10974	9863	9561	9247	8581	7857								
	LPUB-42Z545	1	613	0.99	77	12071	10503	10036	9325										
	LPUB-42Z535	1	727	1.00	82	12088	11092	10825	10551	9974	9363	8706							
	LPUB-42Z545	1 1/2	702	1.50	80	13823	12495	12121	11732										
	LPUB-42Z535	1 1/2	832	1.50	85	13834	12974	12748	12517	12040	11538	11008	10187						
48	LPUB-48Z545	2	772	2.00	83	15201	14017	13686	13346	12610									
	LPUB-48Z535	2	916	1.99	89	15230	14455	14253	14048	13626	13188	12731	12009	10657					
	LPUB-48Z545	3	884	3.00	86	17407	16394	16120	15835	15243	14612	13765							
	LPUB-48Z535	3	1049	3.00	92	17442	16770	16597	16421	16064	15696	15319	14729	13684	12558				
	LPUB-48Z545	1	445	1.00	78	15256	13034	12431											
	LPUB-48Z530	1	584	1.00	84	14474	13126	12788	12453	11766	11030	10210							
54	LPUB-54Z545	1 1/2	510	1.50	81	17484	15517	15055	14572										
	LPUB-54Z530	1 1/2	669	1.50	87	16581	15406	15111	14814	14228	13632	13000	11985						
	LPUB-54Z545	2	561	2.00	84	19233	17446	17000	16582	15639									
	LPUB-54Z530	2	736	2.00	90	18242	17175	16907	16638	16101	15568	15026	14163	12501					
	LPUB-54Z545	3	642	3.00	87	22010	20457	20060	19662	18924	18129								
	LPUB-54Z530	3	843	2.99	93	20894	19963	19730	19496	19026	18557	18092	17389	16139	14038	12686			
60	LPUB-60Z545	1 1/2	434	1.48	77	20257	17260	16228											
	LPUB-60Z535	1 1/2	515	1.50	83	20297	18410	17901	17373	16253	15084	13458							
	LPUB-60Z545	2	478	1.99	79	22310	19653	18892	17952										
	LPUB-60Z535	2	567	2.00	84	22347	20651	20200	19737	18768	17735	16675							
	LPUB-60Z545	3	547	3.00	83	25531	23277	22642	21994	20390									
	LPUB-60Z535	3	649	2.99	87	25578	24114	23731	23340	22534	21691	20806	19430						
60	LPUB-60Z545	5	648	4.98	87	30245	28397	27894	27370	26288	25102	23250							
	LPUB-60Z535	5	770	4.99	93	30347	29126	28810	28491	27839	27168	26477	25396	23485	21306				
	LPUB-60Z545	1 1/2	329	1.49	76	23718	20028												
	LPUB-60Z530	1 1/2	430	1.50	83	22765	20506	19928	19346	18129	16843	15169							
	LPUB-60Z545	2	362	1.99	78	26097	22780	21886											
	LPUB-60Z530	2	473	1.99	85	25041	22996	22473	21947	20883	19759	18589	16182						
60	LPUB-60Z545	3	415	3.00	82	29917	27068	26306	25555										
	LPUB-60Z530	3	541	2.98	89	28641	26862	26408	25952	25033	24105	23141	21630	18122					
	LPUB-60Z545	5	492	5.00	86	35468	33126	32494	31841	30576	29137								
	LPUB-60Z530	5	642	4.99	94	33988	32495	32117	31737	30970	30197	29422	28239	26151	23779				
	LPUB-60Z545	2	320	1.99	77	30484	25737	24073											
	LPUB-60Z530	2	422	2.00	86	29073	26471	25781	25075	23589	21948	20074							
60	LPUB-60Z545	3	366	2.98	81	34866	30753	29696	28481										
	LPUB-60Z530	3	483	3.00	89	33276	31028	30441	29841	28612	27322	25933	23603						
	LPUB-60Z545	5	434	4.97	85	41344	37938	37025	36136	34264									
	LPUB-60Z530	5	573	5.00	95	39476	37601	37118	36628	35628	34602	33550	31886	28775	24916				
	LPUB-60Z545	7 1/2	497	7.47	89	47345	44411	43638	42847	41280	39676	37487							
	LPUB-60Z530	7 1/2	655	7.46	98	45126	43495	43078	42656	41801	40927	40036	38668	36246	33553	30430			

NOTES:

- Performance shown is for installation Type A: Free inlet, free outlet.
- Power rating (BHP) does not include drive losses.
- Performance ratings do not include the effects of appurtenances in the airstream.
- The sound power ratings shown are in decibels, referred to 10⁻¹² watts calculated per AMCA Standard 301.
- Values shown are for inlet LwiA sound power levels for installation Type A: Free inlet, free outlet. Ratings do not include the effects of end correction.
- Sound power values shown are at the peak cataloged pressure for each RPM.

Performance Data – Direct Drive

LPUD – Die Cast Aluminum Propeller

SIZE	NO. OF BLADES	PROP	MOTOR HP	FAN RPM	MAX. BHP	LwiA	CFM/STATIC PRESSURE (IN. W.G.)														
							0.000	0.100	0.125	0.150	0.200	0.250	0.300	0.375	0.500	0.625	0.750	1.000			
							CFM	CFM	CFM	CFM	CFM	CFM	CFM	CFM	CFM	CFM	CFM	CFM			
14	4 BLADES	LPUD-14E420	1/4	1750	0.19	71	1577	1457	1423	1385	1300	1208	1103								
		LPUD-14E424	1/4	1750	0.23	73	1769	1613	1575	1540	1469	1386	1282								
		LPUD-14E428	1/4	1750	0.26	73	1862	1710	1670	1630	1547	1456	1358								
		LPUD-14E432	1/3	1750	0.31	74	2021	1821	1779	1741	1663	1532									
	8 BLADES	LPUD-14E816	1/4	1750	0.20	73	1388	1300	1274	1248	1187	1111	998								
		LPUD-14E820	1/4	1750	0.25	72	1594	1502	1476	1449	1390	1320	1233								
		LPUD-14E824	1/3	1750	0.30	72	1811	1700	1671	1641	1580	1518	1437								
16	4 BLADES	LPUD-16E416	1/4	1750	0.24	78	2102	1943	1899	1854	1756	1652	1546								
		LPUD-16E420	1/3	1750	0.29	78	2348	2193	2152	2108	2015	1913	1800	1583							
		LPUD-16E424	1/2	1750	0.36	78	2636	2463	2418	2373	2284	2191	2086	1883							
		LPUD-16E428	1/2	1750	0.42	79	2849	2658	2609	2559	2458	2355	2242	2057							
	8 BLADES	LPUD-16E432	1/2	1750	0.50	79	3085	2864	2809	2753	2645	2533	2404								
		LPUD-16E816	1/3	1750	0.33	79	2060	1949	1919	1888	1823	1752	1674	1528							
		LPUD-16E820	1/2	1750	0.41	77	2408	2294	2263	2231	2164	2090	2008	1865							
		LPUD-16E824	1/2	1750	0.50	78	2739	2608	2574	2539	2467	2395	2322	2191							
18	4 BLADES	LPUD-18E416	1/3	1750	0.32	80	2917	2728	2677	2625	2513	2392	2267	2065							
		LPUD-18E420	1/2	1750	0.41	80	3288	3089	3037	2984	2877	2767	2648	2432							
		LPUD-18E424	1/2	1750	0.53	80	3670	3489	3442	3393	3291	3184	3069	2868	2282						
		LPUD-18E428	3/4	1750	0.63	81	4030	3809	3752	3695	3579	3463	3343	3141							
	8 BLADES	LPUD-18E432	3/4	1750	0.76	81	4335	4115	4057	3997	3871	3736	3592	3372							
		LPUD-18E812	1/2	1750	0.36	85	2364	2220	2183	2147	2074	2000	1926	1809	1603						
		LPUD-18E816	1/2	1750	0.49	84	2886	2753	2718	2683	2610	2534	2454	2325	2067						
		LPUD-18E820	3/4	1750	0.62	82	3421	3283	3247	3209	3132	3050	2963	2819	2534						
21	4 BLADES	LPUD-21E412	1/2	1750	0.40	88	3530	3237	3164	3090	2943	2788	2623	2359							
		LPUD-21E416	1/2	1750	0.51	88	4251	3996	3930	3861	3720	3572	3416	3171	2644						
		LPUD-21E420	3/4	1750	0.66	86	4868	4624	4560	4495	4363	4227	4087	3851	3307						
		LPUD-21E424	1	1750	0.87	86	5523	5292	5231	5169	5041	4907	4768	4542	4047						
	8 BLADES	LPUD-21E428	1	1750	1.05	86	6172	5854	5774	5694	5533	5374	5214	4964	4504						
		LPUD-21E432	1 1/2	1750	1.28	88	6585	6309	6236	6162	6010	5851	5684	5416	4946						
		LPUD-21E812	3/4	1750	0.59	89	3378	3187	3140	3094	3004	2917	2831	2695	2438	2179					
		LPUD-21E816	1	1750	0.80	89	4238	4069	4025	3980	3889	3795	3698	3545	3263	2945					
		LPUD-21E820	1 1/2	1750	1.01	87	5064	4903	4860	4817	4727	4633	4534	4371	4060	3694					
		LPUD-21E824	1 1/2	1750	1.28	88	5864	5688	5642	5596	5502	5405	5304	5149	4873	4516					
24	4 BLADES	LPUD-24E412	1/2	1750	0.52	91	4826	4411	4313	4219	4036	3846	3638	3308	2712						
		LPUD-24E416	3/4	1750	0.72	92	5929	5586	5498	5409	5230	5048	4861	4558	3987	3299					
		LPUD-24E420	1	1750	0.96	91	6870	6578	6502	6425	6267	6105	5941	5681	5110	4250					
		LPUD-24E424	1 1/2	1750	1.30	90	7905	7615	7540	7464	7307	7145	6977	6715	6204	5489					
	8 BLADES	LPUD-24E428	2	1750	1.59	93	8972	8533	8424	8315	8099	7885	7674	7356	6805	6173					
		LPUD-24E432	2	1750	1.97	94	9483	9155	9070	8983	8805	8620	8428	8123	7562	6937					
		LPUD-24E812	1	1750	0.87	92	4622	4380	4322	4265	4153	4047	3946	3792	3490	3162	2851	2262			
		LPUD-24E816	1 1/2	1750	1.16	94	5941	5731	5676	5621	5510	5395	5276	5091	4765	4416	4060	3315			
		LPUD-24E820	2	1750	1.51	92	7152	6963	6914	6863	6760	6653	6542	6364	6028	5643	5183				
		LPUD-24E824	2	1750	1.97	91	8430	8229	8178	8125	8018	7908	7794	7615	7292	6928	6522	5446			
30	4 BLADES	LPUD-30E412	3/4	1160	0.66	90	7074	6490	6346	6206	5930	5640	5320	4816	3948						
		LPUD-30E416	1	1160	0.87	91	8513	7974	7831	7684	7370	7038	6718	6270	5425						
		LPUD-30E420	1 1/2	1160	1.20	90	9810	9399	9289	9176	8940	8684	8403	7933	7021	6052					
		LPUD-30E424	1 1/2	1160	1.56	88	11216	10739	10614	10487	10226	9953	9667	9210	8350	7415					
	8 BLADES	LPUD-30E428	2	1160	1.90	88	12429	11889	11749	11606	11312	11005	10680	10172	9329	8428	7345				
		LPUD-30E812	1	1160	1.05	90	6425	6139	6064	5988	5831	5666	5491	5217	4735	4246					
		LPUD-30E816	1 1/2	1160	1.46	92	8628	8241	8148	8055	7874	7698	7532	7291	6857	6320	5713				
		LPUD-30E820	2	1160	1.78	90	9648	9381	9311	9239	9090	8934	8768	8496	7947	7325	6609				
36	4 BLADES	LPUD-36E412	1	1160	0.99	92	9424	8708	8518	8321	7908	7473	7006	6310	5202						
		LPUD-36E416	1 1/2	1160	1.31	94	12156	11284	11073	10866	10470	10080	9666	8985	7693						
		LPUD-36E420	2	1160	1.83	94	14608	14059	13910	13755	13426	13063	12633	11858	10441						
		LPUD-36E424	3	1160	2.50	94	17113	16393	16208	16022	15643	15257	14868	14266	13114	11613					
	8 BLADES	LPUD-36E428	3	1160	3.23	92	19362	18546	18340	18132	17714	17293	16871	16230	15097	13856					
		LPUD-36E812	2	1160	1.74	95	9221	8777	8664	8550	8319	8083	7842	7475	6849	6202	5534				
		LPUD-36E816	3	1160	2.26	96	12080	11631	11516	11398	11158	10910	10652	10239	9545	8885	8153				
		LPUD-36E820	3	1160	2.99	98	15002	14592	14487	14379	14160	13933	13700	13333	12668	11927	11081				

NOTES:

1. Performance shown is for installation Type A: Free inlet, free outlet.
2. Performance ratings do not include the effects of appurtenances in the airstream.
3. The sound power ratings shown are in decibels, referred to 10⁻¹² watts calculated per AMCA Standard 301.
4. Values shown are for inlet LwiA sound power levels for installation Type A: Free inlet, free outlet. Ratings do not include the effects of end correction.
5. Sound power values shown are at the peak cataloged pressure for each RPM.

Performance Data – Direct Drive

LPUD – Die Cast Aluminum Propeller

SIZE	NO. OF BLADES	PROP	MOTOR HP	FAN RPM	MAX. BHP	LwiA	CFM/STATIC PRESSURE (IN. W.G.)												
							0.000	0.100	0.125	0.150	0.200	0.250	0.300	0.375	0.500	0.625	0.750	1.000	
							CFM	CFM	CFM	CFM	CFM	CFM	CFM	CFM	CFM	CFM	CFM	CFM	
42	4 BLADES	LPUD-42E412	1½	860	1.28	92	13446	12338	12060	11785	11237	10659	10023	9042					
		LPUD-42E416	2	860	1.68	93	16454	15365	15082	14792	14188	13562	12946	12048	10347				
		LPUD-42E424	3	860	3.07	90	22050	21100	20853	20602	20085	19548	18990	18103	16406	14470			
	8 BLADES	LPUD-42E428	5	860	3.80	89	24572	23492	23213	22930	22351	21752	21127	20153	18506	16688			
		LPUD-42E432	5	860	4.61	91	26140	25234	24996	24751	24243	23705	23129	22163	20341	18249	16162		
		LPUD-42E812	2	860	2.06	91	12436	11863	11714	11562	11251	10925	10582	10049	9119				
8 BLADES	LPUD-42E816	3	860	2.86	93	16598	15875	15697	15519	15168	14821	14487	13995	13114	12080	10917			
	LPUD-42E820	5	860	3.54	93	19064	18529	18389	18246	17950	17640	17314	16782	15737	14550	13177			
	LPUD-42E824	5	860	4.80	92	22994	22275	22092	21908	21536	21157	20773	20189	19189	18086	16830			
48	4 BLADES	LPUD-48E412	2	860	1.70	91	16561	15273	14929	14574	13828	13040	12195	10949	8953				
		LPUD-48E416	3	860	2.25	95	21362	19794	19416	19045	18336	17632	16880	15643	13291				
		LPUD-48E420	3	860	3.15	95	25671	24682	24413	24134	23538	22875	22082	20675	18104				
		LPUD-48E424	5	860	4.29	95	30074	28778	28445	28110	27427	26732	26031	24942	22833	20002			
	8 BLADES	LPUD-48E428	5	860	5.49	92	34025	32558	32187	31813	31061	30302	29543	28387					
		LPUD-48E812	3	860	2.97	96	16204	15406	15203	14997	14581	14156	13722	13059	11932	10764			
		LPUD-48E816	5	860	3.89	97	21229	20421	20213	20001	19568	19121	18653	17907	16665	15476	14124		
		LPUD-48E820	5	860	5.13	98	26364	25627	25436	25242	24847	24438	24016	23353	22145	20797	19247		

LPUD – Fabricated Steel Propeller

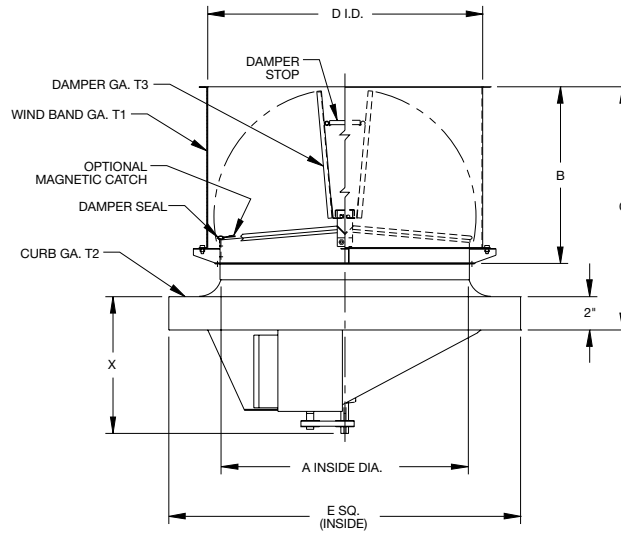
SIZE	PROP	MOTOR HP	FAN RPM	MAX. BHP	LwiA	CFM/STATIC PRESSURE (IN. W.G.)											
						0.000	0.100	0.125	0.150	0.200	0.250	0.300	0.375	0.500	0.625	0.750	1.000
						CFM	CFM	CFM	CFM	CFM	CFM	CFM	CFM	CFM	CFM	CFM	CFM
24	LPUD-24Z530	1/4	860	0.22	77	4086	3706	3592	3466	3157							
	LPUD-24Z535	1/3	860	0.32	74	4813	4358	4225	4079	3740	3315						
	LPUD-24Z540	1/2	860	0.42	75	5415	4873	4738	4604	4298	3815						
	LPUD-24Z545	1/2	860	0.50	76	5767	5206	5043	4868								
	LPUD-24Z530	1/2	1160	0.55	85	5511	5246	5174	5099	4940	4763	4564					
	LPUD-24Z535	3/4	1160	0.77	82	6491	6172	6086	5997	5809	5603	5376	4980				
30	LPUD-24Z540	1	1160	1.02	84	7303	6906	6805	6703	6499	6301	6099	5734				
	LPUD-24Z545	1½	1160	1.24	85	7779	7384	7278	7168	6936	6688	6411					
	LPUD-24Z530	2	1750	1.88	96	8314	8144	8101	8056	7965	7872	7775	7624	7351	7042	6686	
	LPUD-30Z530	1/2	860	0.46	83	7061	6507	6352	6188	5826	5380	4805					
	LPUD-30Z535	3/4	860	0.65	80	8315	7760	7600	7427	7015	6545	6053					
	LPUD-30Z540	1	860	0.89	81	9443	8753	8565	8371	7961	7487	6883					
36	LPUD-30Z545	1	860	1.08	82	10067	9367	9174	8973	8557							
	LPUD-30Z530	1½	1160	1.14	90	9525	9130	9025	8918	8695	8460	8209	7793	6887			
	LPUD-30Z535	1½	1160	1.60	88	11216	10823	10718	10610	10383	10138	9866	9386	8510	7432		
	LPUD-30Z540	2	1160	2.18	89	12737	12240	12110	11978	11706	11423	11131	10667	9726			
	LPUD-36Z530	1½	860	1.15	88	12203	11555	11381	11201	10821	10409	9952	9105				
	LPUD-36Z535	1½	860	1.62	87	14369	13724	13547	13364	12970	12518	11988	11141	9427			
42	LPUD-36Z540	2	860	2.2	86	16317	15505	15291	15071	14615	14138	13631					
	LPUD-36Z545	3	860	2.69	87	17396	16575	16356	16131	15660	15173	14657					
	LPUD-36Z530	3	1160	2.83	96	16459	15991	15870	15747	15494	15232	14960	14530	13744	12806	11586	
48	LPUD-42Z530	3	860	3.14	92	20661	19997	19823	19646	19280	18897	18494	17840	16601	15140		
	LPUD-42Z535	5	860	4.36	90	23812	23196	23033	22866	22518	22150	21757	21098	19660	18110	16351	
48	LPUD-48Z530	5	860	4.85	97	28924	28082	27863	27641	27185	26712	26220	25443	24013	22281	20032	

NOTES:

1. Performance shown is for installation Type A: Free inlet, free outlet.
2. Performance ratings do not include the effects of appurtenances in the airstream.
3. The sound power ratings shown are in decibels, referred to 10⁻¹² watts calculated per AMCA Standard 301.
4. Values shown are for inlet LwiA sound power levels for installation Type A: Free inlet, free outlet. Ratings do not include the effects of end correction.
5. Sound power values shown are at the peak cataloged pressure for each RPM.

Dimensional Data

Belt Driven – LPUB

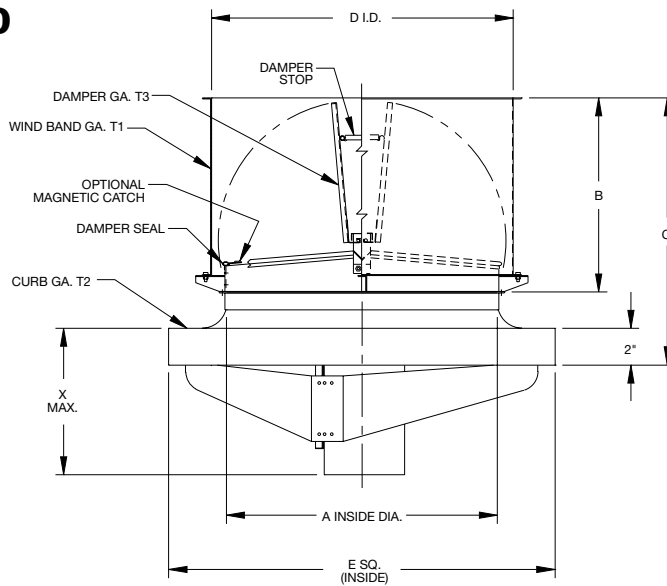


SIZE	A	B	C	D	E SQ.	T1	T2	T3	X	MAX. FRAME	ROOF CURB SQ.
21	21 ¹ / ₄	23 ³ / ₄	31 ³ / ₄	26 ⁷ / ₈	31 ³ / ₈	20 GA.	18 GA.	.032 GA.	14	56	30.0
24	24 ¹ / ₄	24 ³ / ₄	32 ³ / ₄	28 ⁷ / ₈	35 ³ / ₈	20 GA.	16 GA.	.032 GA.	17	143T	34.0
30	30 ³ / ₈	27 ³ / ₄	35 ³ / ₄	36 ⁷ / ₈	42 ³ / ₈	18 GA.	16 GA.	.040 GA.	17	145T	41.0
36	36 ³ / ₈	30 ³ / ₄	38 ³ / ₄	42 ⁷ / ₈	48 ³ / ₈	18 GA.	16 GA.	.040 GA.	18 ¹ / ₂	184T	47.0
42	42 ³ / ₈	33 ³ / ₄	41 ³ / ₄	48 ⁷ / ₈	54 ³ / ₈	18 GA.	16 GA.	.063 GA.	18 ¹ / ₂	184T	53.0
48	48 ³ / ₈	36 ³ / ₄	44 ³ / ₄	54 ⁷ / ₈	60 ³ / ₈	18 GA.	16 GA.	.063 GA.	18 ¹ / ₂	184T	59.0
54	54 ³ / ₈	39 ³ / ₄	47 ³ / ₄	60 ³ / ₄	74 ³ / ₈	18 GA.	14 GA.	.063 GA.	19 ¹ / ₂	184T	73.0
60	60 ³ / ₈	43 ³ / ₄	51 ³ / ₄	66 ³ / ₄	74 ³ / ₈	18 GA.	14 GA.	.063 GA.	23 ¹ / ₂	215T	73.0

Dimensions are not be used for construction.

D-4840-1C

Direct Drive – LPUD



SIZE	A	B	C	D	E SQ.	T1	T2	T3	X MAX.	MAX. FRAME	ROOF CURB SQ.
14	14 ¹ / ₄	20 ³ / ₄	28 ³ / ₄	20 ³ / ₈	23 ⁷ / ₈	20 GA.	18 GA.	.032 GA.	10	56	22.5
16	16 ¹ / ₄	20 ³ / ₄	28 ³ / ₄	22 ³ / ₈	23 ⁷ / ₈	20 GA.	18 GA.	.032 GA.	10	56	22.5
18	18 ¹ / ₄	21 ³ / ₄	29 ³ / ₄	25 ³ / ₈	27 ⁷ / ₈	20 GA.	18 GA.	.032 GA.	10	56	26.5
21	21 ¹ / ₄	23 ³ / ₄	31 ³ / ₄	26 ⁷ / ₈	31 ³ / ₈	20 GA.	18 GA.	.032 GA.	12 ³ / ₄	145T	30.0
24	24 ¹ / ₄	24 ³ / ₄	32 ³ / ₄	28 ⁷ / ₈	35 ³ / ₈	20 GA.	16 GA.	.032 GA.	13 ³ / ₄	184T	34.0
30	30 ³ / ₈	27 ³ / ₄	35 ³ / ₄	36 ⁷ / ₈	42 ³ / ₈	18 GA.	16 GA.	.040 GA.	13 ³ / ₄	184T	41.0
36	36 ³ / ₈	30 ³ / ₄	38 ³ / ₄	42 ⁷ / ₈	48 ³ / ₈	18 GA.	16 GA.	.040 GA.	17 ¹ / ₂	215T	47.0
42	42 ³ / ₈	33 ³ / ₄	41 ³ / ₄	48 ⁷ / ₈	54 ³ / ₈	18 GA.	16 GA.	.063 GA.	22 ¹ / ₄	256T	53.0
48	48 ³ / ₈	36 ³ / ₄	44 ³ / ₄	54 ⁷ / ₈	60 ³ / ₈	18 GA.	16 GA.	.063 GA.	22 ¹ / ₄	256T	59.0

Dimensions are not be used for construction.

D-4840-2C

Typical Specifications

Low Profile Propeller Roof Ventilators, shall be model LPUD upblast direct drive or model LPUB upblast belt driven as manufactured by Twin City Fan & Blower, Minneapolis, Minnesota.

PERFORMANCE — Fans shall be tested in accordance with AMCA test codes for air moving devices and shall be guaranteed by the manufacturer to deliver rated published performance levels. Fans shall be cULus 705 listed for electrical.

CONSTRUCTION — Fan curb caps shall be constructed of heavy gauge galvanized steel (sizes 16-48) or painted steel (sizes 14, 54 & 60) for durability and appearance. Curb caps shall have a deep spun inlet venturi for efficient airflow and pre-punched holes for easy mounting to the roof curb. Motor mount assemblies shall be constructed of heavy gauge galvanized steel. Discharge cap with butterfly dampers shall contain a splash guard over the pivot area to protect against rain entry. Butterfly damper blades shall be aluminum (sizes 14-36) and galvanized steel (sizes 42-60) as standard. Discharge caps shall be painted steel.

PROPELLERS — Propellers shall be constructed of fabricated steel or cast aluminum blades and hubs. Propellers on belt driven units shall be secured to the fan shaft with a taperlock bushing. Propellers on direct drive units shall be mounted directly on the motor shaft with a taperlock bushing.

SHAFTS (LPUB Only) — Shafts shall be AISI 1045 cold rolled steel, accurately turned, ground, polished, and ring gauged for accuracy. Shafts shall be sized for the first critical speed of at least 1.43 times the maximum speed.

BEARINGS (LPUB Only) — Bearings are to be pillow block, heavy-duty, anti-friction, self-aligning, grease lubricated, ball type. Each fan's bearings are sized with a minimum average life, per AFBMA, in excess of 200,000 hours when operating at the maximum RPM of the fan size.

DRIVES (LPUB Only) — Motor sheaves shall be cast iron, and supplied as variable pitch standard. Drives and belts shall be rated for a minimum of 150% of the required motor HP.

MOTORS — All motors shall be single phase or three phase induction, permanently lubricated, heavy-duty, ball bearing type, closely matched to the fan load and provided at the voltage, phase, hertz, and enclosure as provided on the fan schedule. Direct drive motors shall be split phase and capacitor start.

FINISH AND COATING — Fans shall have galvanized steel or finish painted curb caps and galvanized steel motor supports, hoods and hood supports.

ACCESSORIES — When specified, accessories such as motor side guard, fusible link assembly, magnetic damper latches, backdraft and motorized dampers, hinged base, extended lube lines, roof curb, and disconnect switch shall be provided by Twin City Fan to maintain one source responsibility.

FACTORY RUN TEST — All fans prior to shipment shall be completely assembled and test run as a unit at operating speed or maximum RPM allowed for the particular construction type. Each propeller shall be statically and dynamically balanced in accordance with ANSI/AMCA 204-96 "Balance Quality and Vibration Levels for Fans" to Fan Application Category BV-3, Balance Quality Grade G6.3. Balance readings shall be taken by electronic type equipment in the axial, vertical, and horizontal directions on each of the bearings. Records shall be maintained and a written copy shall be available upon request.

GUARANTEE — The manufacturer shall guarantee the workmanship and materials for at least one (1) year from startup or eighteen (18) months from shipment, whichever occurs first.

Unlimited Options...

Commercial Fans

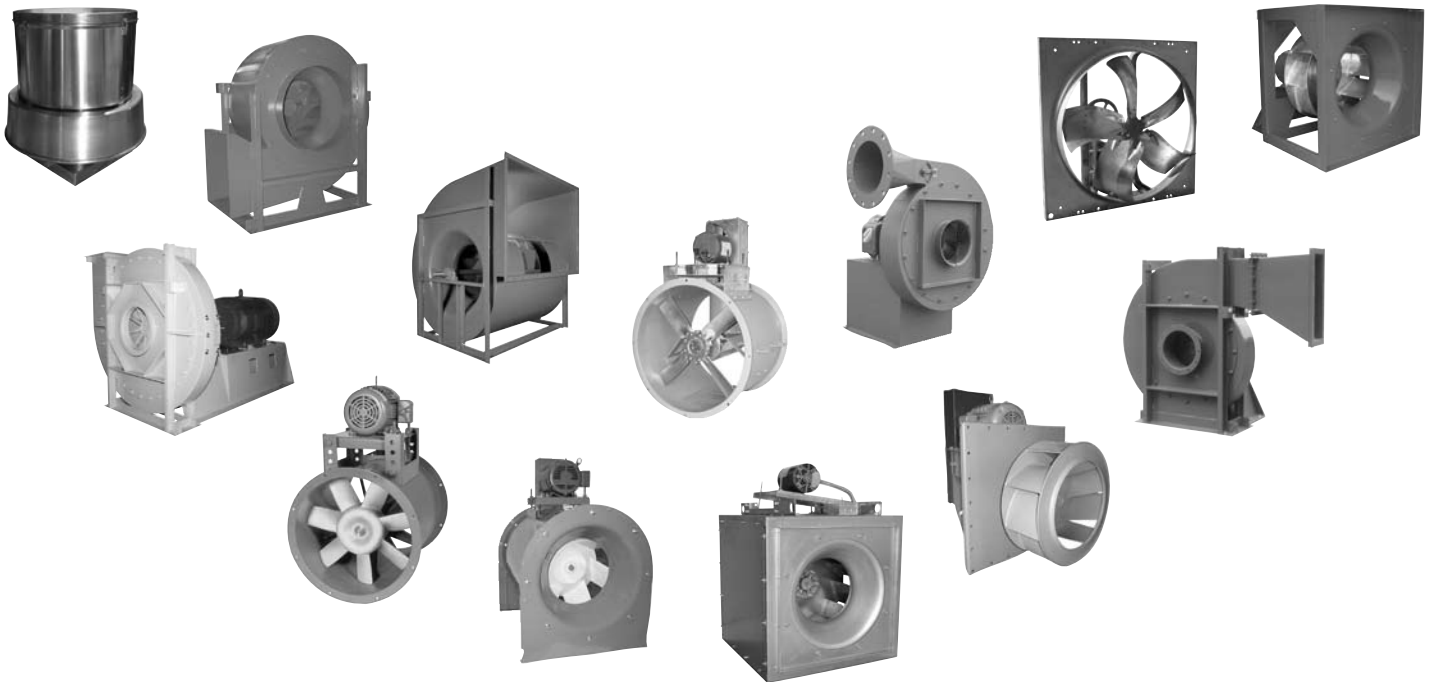
Centrifugal Fans • Utility Sets • Inline Centrifugal Fans • Plenum Fans
Radial Bladed Fans • Centrifugal Roof & Wall Exhausters • Filtered Supply Fans
Gravity Relief Ventilators • Ceiling & Cabinet Ventilators • Propeller Wall Fans
Tubeaxial Fans • Vaneaxial Fans • Propeller Roof Ventilators
Fume Hood/Smoke & Heat Exhaust Fans • Mancoolers • Fiberglass Fans

Industrial Fans

Centrifugal Fans • Forward Curved & Air Kit Components • Inline Centrifugal Fans
Plug Fans • Radial Bladed Fans • Radial Tip & High Efficiency Fans
Pressure Blowers • Tubeaxial Fans • Vaneaxial Fans

Custom Design Fans

Easy Access Fans • Insulated Fans • Inlet Boxes - Integral and Detached
Inlet Box Dampers • Independent Bearing Pedestals • Split Housings • Bolted Housings
Spark Resistant Construction • Ultra Fine Balancing • Modified Widths and Diameters
Variable Frequency Drives • API Specifications • Special Materials • Anti-Rotation Devices
Sleeve Oil Bearings • Volume Control Dampers • Inlet Vane Control with External Mechanisms



...One Solution.



5959 TRENTON LANE NORTH • MINNEAPOLIS, MN 55442-3237

PHONE: 763-551-7600 • FAX: 763-551-7601

WWW.TCF.COM