

BULLETIN 4830

June 2006

Twin City Fan & Blower

TUBEAXIAL FANS DIRECT AND BELT DRIVE

TYPE TD/TB



TD/TB Tubeaxial Fans

Twin City Fan & Blower TD and TB Tubeaxial Fans are specifically designed for cost effective, reliable air movement in commercial and light industrial ducted and non-ducted applications. Direct and belt drive models are available with cast aluminum or fabricated steel propellers to meet specific application requirements.

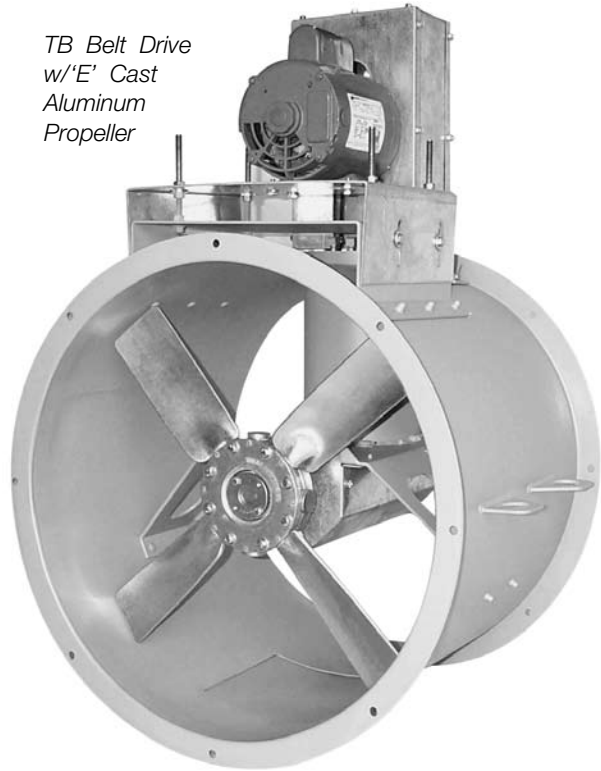
Sizes and Performance

- Direct drive sizes 14" to 48"
- Belt driven sizes 14" to 60"
- Capacities from 1,600 CFM to 82,600 CFM
- Static pressures to 1½" w.g.

Construction Features

- Cast aluminum or fabricated steel propellers.
- Continuously welded, heavy-gauge, corrosion resistant, enamel coated steel housing.
- Heavy-gauge steel motor and bearing supports provide maximum strength with minimal resistance to airflow.
- Flanged housings with prepunched mounting holes can easily be connected to ductwork.
- Dynamically balanced propellers for quiet, vibration-free operation.
- Designed for continuous duty.
- Available with a wide variety of ODP, TEFC and explosion proof ball bearing motors.
- Extended lube lines are standard on Model TB fans.
- Externally mounted conduit box standard on model TD fans.

*TB Belt Drive
w/'E' Cast
Aluminum
Propeller*



*TD Direct
Drive w/'E'
Cast Aluminum
Propeller*



All models are UL/cUL 705 listed, for electrical, File No. E158680.



Twin City Fan & Blower, a Twin City Fan Company, certifies that the TD and TB Tubeaxial Fans shown herein are licensed to bear the AMCA Seal. The ratings shown are based on tests and procedures performed in accordance with AMCA Publication 211 and AMCA Publication 311 and comply with the AMCA Certified Ratings Program.

©2009 Twin City Fan Companies, Ltd. All rights reserved throughout the world.

Bulletin illustrations cover the general appearance of Twin City Fan & Blower products at the time of publication and we reserve the right to make changes in design and construction at any time without notice.

Propellers

TD and TB tubeaxial fans are available with either fixed pitch fabricated steel (sizes 24 through 60) or adjustable pitch cast aluminum propellers (sizes 14 through 60). Each propeller type is designed for a wide variety of commercial and light industrial applications with static pressure capabilities from 0" to 1½". Regardless of the application requirement, TD and TB propellers offer the right choice.

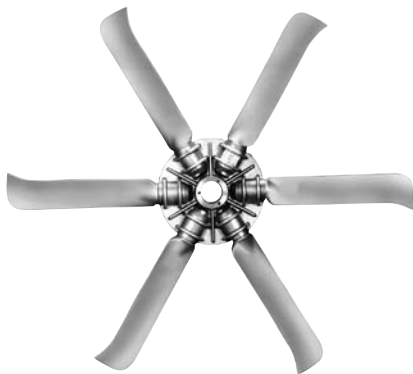
Propeller Availability

FAN SIZE	DIRECT DRIVE	BELT DRIVEN
14	E	E
16	E	E
18	E	E
21	E	E
24	E	E/Z
30	E	E/Z
36	E	E/Z
42	E	E/Z
48	E	E/Z
54	—	C/Z
60	—	C/Z



“E” Die Cast Aluminum Propellers

The “E” series features a die cast aluminum propeller available in 4 and 8 blade designs. Blade angles are factory set and mounted in a die cast aluminum hub. “E” propellers are available in 14" through 48" diameters.



“C” Cast Aluminum Propellers

The “C” series is a cast aluminum propeller available in 4 and 6 blade designs, and is available in 54" and 60" diameters only. Blade angles are factory set and mounted in a cast aluminum hub.



“Z” Fabricated Steel Propeller

The “Z” series features a fixed pitch, fabricated steel, 5-bladed propeller. Steel blades are continuously welded to a heavy gauge hub at the customer’s selected blade angle. “Z” propellers are available in 24" through 60" diameters.

Accessories

Belt Guard

Totally enclosed belt guard protects personnel from rotating components by enclosing the motor sheaves and V-belt drive assembly. (Model TB fans only.)

Motor Cover

A weatherproof motor cover is available on belt driven models to protect the motor and drive components. Motor covers also serve as an OSHA guard to protect personnel from rotating parts and can easily be removed for inspection. (Model TB fans only.)

Inlet Bell

An inlet bell is recommended to minimize entrance losses for installations where the inlet of the fan is non-ducted. Inlet bell is flanged and punched to mate up with the standard flanged inlet.

Inlet and Outlet Screen

Inlet and outlet screens are available for added safety on non-ducted applications. Screens are removable for routine inspection and cleaning of the propeller.

Companion Flange

Inlet and outlet companion flanges are available for ease of duct connection. Companion flanges are rolled angle rings punched to match the standard inlet or outlet flange.

Mounting Brackets

Mounted to fan housing. Location varies with discharge orientation and mounting option. See page 5.

Access Door, Bolted

A bolted access door allows for inspection and maintenance of internal fan components.

Shaft Seal

Shaft seal consists of a non-asbestos rubbing ring at the wheel end of the inner cylinder. A shaft seal is recommended when the fan is exposed to wet, corrosive or dirty contaminants. The shaft seal does not make the fan gas tight. (Model TB fans only.)

Spark Resistant Construction - Type B

Type B Spark Resistant Construction is available on belt driven fans with the “E” or “C” cast aluminum propellers only. (Model TB fans only.)

Vibration Isolators

Rubber-in-shear and spring type isolators are available for floor and ceiling mounted installations.

Special Coatings

Twin City Fan & Blower has an in-house, specialty coating facility offering a wide range of protective coating solutions for fans that are exposed to corrosive atmospheres. Fans are coated with enamel as standard.

Disconnect Switch

A NEMA 1, 3R or 7/9 safety disconnect switch is available for positive electrical shutoff of the fan and the protection of service personnel. Disconnects are shipped loose for field mounting and wiring.

Metal Nameplate

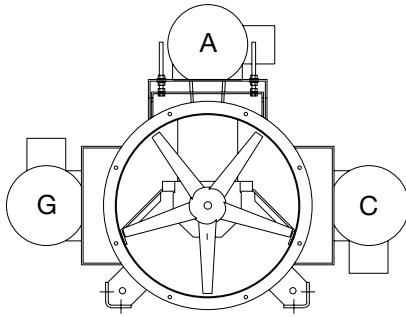
Available in aluminum or stainless steel.

Engineering Data

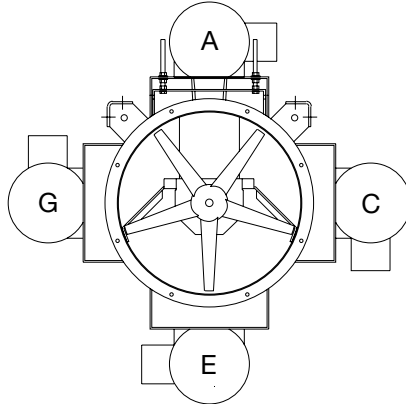
Material Specifications

FAN SIZE	HOUSING (GAUGE)	PROPELLERS (GAUGES)				SHAFT SIZE (IN.)	APPROX. SHIP WT. (LB)					
		E	C	Z			TD		TB			
				HUB	BLADE		W/ALUM PROP	W/STEEL PROP	W/ALUM PROP	W/STEEL PROP		
14	14	DIE CAST ALUMINUM				1	33	N/A	40	N/A		
16	14					1	53	N/A	67	N/A		
18	14					1	60	N/A	75	N/A		
21	14					1	85	N/A	104	N/A		
24	14					12	14	1	97	118	118	139
30	14					12	14	1	149	170	183	204
36	12					12	12	1	234	257	288	311
42	12					10	10	1 ³ / ₁₆	305	325	375	395
48	12					10	10	1 ³ / ₁₆	547	565	664	682
54	12					CAST ALUMINUM				7	N/A	N/A
60	10	7	10	1 ⁷ / ₁₆	N/A					N/A	970	1008

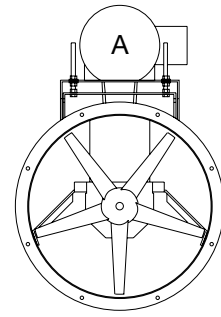
Mounting Arrangements



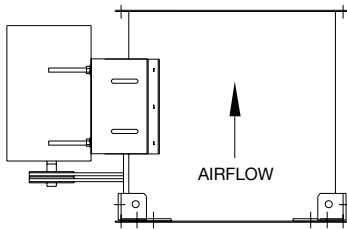
Horizontal Base Mounted (HBM)
(w/mounting brackets)



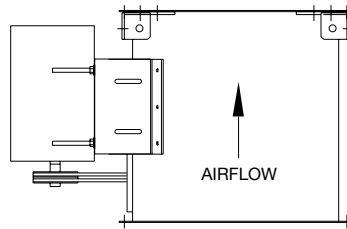
Horizontal Ceiling Hung (HCH)
(w/mounting brackets)



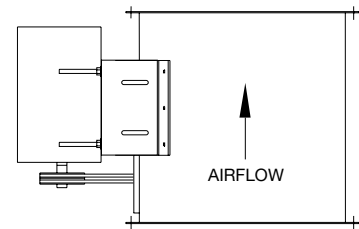
Horizontal (HOR)
(No mounting brackets)



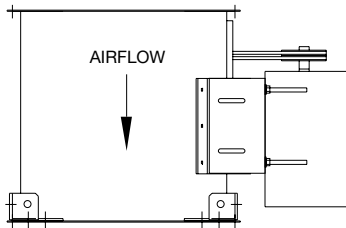
Vertical Up Floor Mounted (VUI)
(w/mounting brackets)



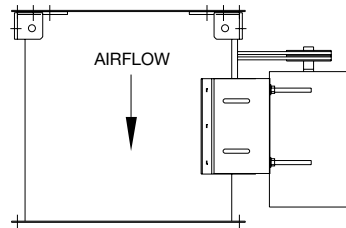
Vertical Up Ceiling Hung (VUO)
(w/mounting brackets)



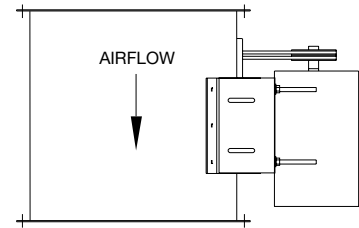
Vertical Up (VUN)
(No mounting brackets)



Vertical Down Floor Mounted (VDO)
(w/mounting brackets)



Vertical Down Ceiling Hung (VDI)
(w/mounting brackets)



Vertical Down (VDN)
(No mounting brackets)

Model Nomenclature

TB - 24 - E - 4 - 16

Model _____

TD = Direct Drive
TB = Belt Driven

Fan Size _____

Propeller Type _____

Z = Fabricated Steel, Fixed Pitch (5-Bladed)
E = Die Cast Aluminum, Adjustable Pitch (4- and 8-Bladed)
C = Cast Aluminum, Adjustable Pitch (4- and 6-Bladed)

No. of Blades _____

Propeller Blade Angle _____

Performance Data – Direct Drive

TD – Die Cast Aluminum Propeller

SIZE	NO. OF BLADES	CATALOG NUMBER	MOTOR HP	FAN RPM	LwiA		STATIC PRESSURE (IN. W.G.)														
							0.000	0.125	0.250	0.375	0.500	0.625	0.750	0.875	1.000	1.250	1.500				
14	4	TD-14E416	1/4	1160	70	CFM	1043														
						BHP	0.04														
		TD-14E420	1/4	1160	69	CFM	1183	871													
						BHP	0.05	0.05													
		TD-14E424	1/4	1160	71	CFM	1324	1015													
						BHP	0.06	0.07													
		TD-14E428	1/4	1160	72	CFM	1418	1104													
						BHP	0.07	0.08													
		TD-14E432	1/4	1160	70	CFM	1547	1193													
						BHP	0.09	0.09													
	TD-14E416	1/4	1750	79	CFM	1573	1391	1132													
					BHP	0.14	0.15	0.16													
	TD-14E420	1/4	1750	82	CFM	1785	1601	1390													
					BHP	0.16	0.18	0.19													
	TD-14E424	1/4	1750	83	CFM	1997	1811	1604													
					BHP	0.20	0.22	0.23													
	TD-14E428	1/4	1750	83	CFM	2138	1967	1743													
					BHP	0.25	0.25	0.26													
	TD-14E432	1/3	1750	81	CFM	2334	2153	1892													
					BHP	0.29	0.30	0.31													
8	TD-14E816	1/4	1160	74	CFM	979															
					BHP	0.05															
	TD-14E820	1/4	1160	74	CFM	1137	880														
					BHP	0.06	0.07														
	TD-14E824	1/4	1160	76	CFM	1317	1074														
					BHP	0.08	0.09														
	TD-14E828	1/4	1160	76	CFM	1444	1182														
					BHP	0.09	0.10														
	TD-14E832	1/4	1160	77	CFM	1578	1286														
					BHP	0.11	0.12														
TD-14E816	1/4	1750	84	CFM	1477	1334	1133														
				BHP	0.18	0.19	0.20														
TD-14E820	1/4	1750	86	CFM	1715	1598	1401														
				BHP	0.21	0.23	0.24														
TD-14E824	1/3	1750	88	CFM	1986	1845	1677														
				BHP	0.26	0.28	0.29														
TD-14E828	1/3	1750	89	CFM	2179	2030	1847														
				BHP	0.31	0.33	0.34														
TD-14E832	1/2	1750	90	CFM	2380	2226	2020														
				BHP	0.38	0.40	0.40														
16	4	TD-16E416	1/4	1160	72	CFM	1494	1132													
						BHP	0.06	0.07													
		TD-16E420	1/4	1160	72	CFM	1719	1361													
						BHP	0.07	0.08													
		TD-16E424	1/4	1160	73	CFM	1920	1578													
						BHP	0.09	0.10													
		TD-16E428	1/4	1160	72	CFM	2098	1750													
						BHP	0.11	0.12													
		TD-16E432	1/4	1160	73	CFM	2294	1923													
						BHP	0.14	0.15													
		TD-16E416	1/4	1750	83	CFM	2254	2063	1807	1383											
						BHP	0.20	0.22	0.24	0.22											
TD-16E420	1/3	1750	83	CFM	2594	2379	2132	1784													
				BHP	0.25	0.26	0.28	0.29													
TD-16E424	1/3	1750	83	CFM	2896	2706	2463	2139													
				BHP	0.31	0.33	0.35	0.36													
TD-16E428	1/2	1750	84	CFM	3166	2959	2717	2396													
				BHP	0.39	0.40	0.41	0.42													
TD-16E432	1/2	1750	82	CFM	3462	3259	2996	2625													
				BHP	0.47	0.49	0.50	0.50													

NOTES:

1. Performance certified is for installation Type B: Free inlet, ducted outlet.
2. Performance ratings do not include the effects of appurtenances (accessories).
3. The sound power level ratings shown are in decibels, referred to 10⁻¹² watts calculated per AMCA Standard 301.
4. Values shown are for inlet LwiA sound power levels for installation Type B: Free inlet, ducted outlet. Ratings do not include the effects of end correction.
5. Sound power values shown are at the peak cataloged pressure for each RPM.

Performance Data – Direct Drive

TD – Die Cast Aluminum Propeller

SIZE	NO. OF BLADES	CATALOG NUMBER	MOTOR HP	FAN RPM	LwIA		STATIC PRESSURE (IN. W.G.)											
							0.000	0.125	0.250	0.375	0.500	0.625	0.750	0.875	1.000	1.250	1.500	
16	8 BLADES	TD-16E816	1/4	1160	75	CFM	1459	1177										
						BHP	0.08	0.09										
		TD-16E820	1/4	1160	75	CFM	1691	1441										
						BHP	0.10	0.11										
		TD-16E824	1/4	1160	75	CFM	1952	1709										
						BHP	0.12	0.14										
		TD-16E828	1/4	1160	75	CFM	2181	1923										
						BHP	0.15	0.16										
		TD-16E832	1/4	1160	76	CFM	2422	2136										
						BHP	0.18	0.20										
		TD-16E816	1/3	1750	86	CFM	2202	2036	1840									
						BHP	0.27	0.29	0.31									
		TD-16E820	1/2	1750	87	CFM	2552	2415	2239	1964								
						BHP	0.33	0.36	0.38	0.39								
TD-16E824	1/2	1750	87	CFM	2945	2805	2634	2398										
				BHP	0.41	0.44	0.46	0.48										
TD-16E828	3/4	1750	88	CFM	3290	3137	2958	2732										
				BHP	0.50	0.53	0.56	0.58										
TD-16E832	3/4	1750	90	CFM	3654	3485	3285	3029										
				BHP	0.62	0.65	0.68	0.69										
18	4 BLADES	TD-18E412	1/4	1160	75	CFM	1743	1301										
						BHP	0.07	0.07										
		TD-18E416	1/4	1160	75	CFM	2058	1690										
						BHP	0.08	0.10										
		TD-18E420	1/4	1160	73	CFM	2394	1986										
						BHP	0.10	0.12										
		TD-18E424	1/4	1160	75	CFM	2673	2322										
						BHP	0.13	0.15										
		TD-18E428	1/4	1160	75	CFM	2971	2573	1876									
						BHP	0.16	0.18	0.18									
		TD-18E432	1/4	1160	75	CFM	3250	2858	2171									
						BHP	0.21	0.22	0.21									
		TD-18E412	1/4	1750	84	CFM	2630	2378	2074	1661								
						BHP	0.23	0.24	0.25	0.25								
		TD-18E416	1/3	1750	86	CFM	3104	2900	2640	2248								
						BHP	0.29	0.30	0.32	0.33								
		TD-18E420	1/2	1750	85	CFM	3612	3376	3089	2729								
						BHP	0.34	0.37	0.39	0.41								
		TD-18E424	1/2	1750	85	CFM	4032	3836	3591	3219	2760							
						BHP	0.44	0.47	0.50	0.51	0.51							
		TD-18E428	3/4	1750	86	CFM	4482	4237	3963	3649	3186							
						BHP	0.56	0.58	0.60	0.62	0.62							
		TD-18E432	3/4	1750	86	CFM	4904	4677	4404	4014	3572							
						BHP	0.71	0.72	0.74	0.76	0.76							
8 BLADES	8 BLADES	TD-18E812	1/4	1160	75	CFM	1670	1331										
						BHP	0.09	0.10										
		TD-18E816	1/4	1160	76	CFM	2075	1765										
						BHP	0.11	0.13										
		TD-18E820	1/4	1160	76	CFM	2402	2140										
						BHP	0.14	0.16										
		TD-18E824	1/4	1160	77	CFM	2768	2524	2083									
						BHP	0.18	0.20	0.21									
		TD-18E828	1/4	1160	77	CFM	3133	2869	2468									
						BHP	0.22	0.25	0.27									
		TD-18E832	1/3	1160	77	CFM	3523	3221	2781									
						BHP	0.28	0.31	0.33									

NOTES:

1. Performance certified is for installation Type B: Free inlet, ducted outlet.
2. Performance ratings do not include the effects of appurtenances (accessories).
3. The sound power level ratings shown are in decibels, referred to 10⁻¹² watts calculated per AMCA Standard 301.
4. Values shown are for inlet LwIA sound power levels for installation Type B: Free inlet, ducted outlet. Ratings do not include the effects of end correction.
5. Sound power values shown are at the peak cataloged pressure for each RPM.

Performance Data – Direct Drive

TD – Die Cast Aluminum Propeller

SIZE	NO. OF BLADES	CATALOG NUMBER	MOTOR HP	FAN RPM	LwiA		STATIC PRESSURE (IN. W.G.)															
							0.000	0.125	0.250	0.375	0.500	0.625	0.750	0.875	1.000	1.250	1.500					
18	8 BLADES	TD-18E812	1/2	1750	86	CFM	2520	2325	2080	1826	1565											
						BHP	0.32	0.34	0.35	0.36	0.36											
		TD-18E816	1/2	1750	87	CFM	3131	2940	2727	2479	2155											
						BHP	0.38	0.42	0.44	0.46	0.46											
		TD-18E820	3/4	1750	89	CFM	3624	3470	3287	3041	2697											
						BHP	0.48	0.51	0.54	0.57	0.58											
	TD-18E824	3/4	1750	89	CFM	4176	4030	3860	3647	3338												
					BHP	0.61	0.65	0.68	0.71	0.73												
	TD-18E828	1	1750	89	CFM	4727	4565	4383	4174	3918	3433											
					BHP	0.76	0.81	0.85	0.89	0.92	0.93											
	TD-18E832	1	1750	89	CFM	5315	5129	4921	4684													
					BHP	0.95	1.00	1.05	1.09													
21	4 BLADES	TD-21E412	1/4	1160	75	CFM	2442	1882														
						BHP	0.10	0.11														
		TD-21E416	1/4	1160	80	CFM	2967	2500	1635													
						BHP	0.12	0.14	0.14													
		TD-21E420	1/4	1160	79	CFM	3506	2979	2183													
						BHP	0.15	0.18	0.18													
		TD-21E424	1/4	1160	77	CFM	4009	3512	2819													
						BHP	0.20	0.23	0.24													
		TD-21E428	1/3	1160	77	CFM	4451	3934	3304													
						BHP	0.27	0.29	0.30													
		TD-21E432	1/2	1160	78	CFM	4906	4385	3680													
						BHP	0.34	0.36	0.38													
	TD-21E412	1/3	1750	88	CFM	3684	3353															
					BHP	0.33	0.35															
	TD-21E416	1/2	1750	90	CFM	4476	4198	3873	3462	2861												
					BHP	0.42	0.45	0.48	0.50	0.49												
	TD-21E420	3/4	1750	89	CFM	5288	4944	4591	4214	3682												
					BHP	0.53	0.57	0.60	0.63	0.63												
	TD-21E424	1	1750	87	CFM	6048	5743	5402	5006	4555	3859											
					BHP	0.70	0.75	0.79	0.81	0.83	0.82											
	TD-21E428	1	1750	88	CFM	6715	6378	6030	5682	5279	4699											
					BHP	0.92	0.95	0.98	1.01	1.03	1.03											
	TD-21E432	1 1/2	1750	89	CFM	7401	7078	6722	6316	5845	5281											
					BHP	1.18	1.21	1.24	1.27	1.29	1.28											
	8 BLADES	TD-21E812	1/4	1160	79	CFM	2344	1973	1536													
						BHP	0.15	0.16	0.17													
		TD-21E816	1/4	1160	81	CFM	2964	2624	2183													
						BHP	0.18	0.20	0.22													
		TD-21E820	1/3	1160	82	CFM	3543	3224	2771													
						BHP	0.22	0.26	0.28													
		TD-21E824	1/3	1160	80	CFM	4132	3835	3446													
						BHP	0.29	0.33	0.36													
		TD-21E828	1/2	1160	81	CFM	4726	4403	4012	3218												
						BHP	0.37	0.42	0.45	0.45												
		TD-21E832	3/4	1160	79	CFM	5310	4978	4572	3913												
						BHP	0.48	0.53	0.56	0.57												
TD-21E812		3/4	1750	90	CFM	3537	3311	3055	2773	2497	2158											
					BHP	0.51	0.53	0.54	0.56	0.57	0.57											
TD-21E816	3/4	1750	91	CFM	4471	4259	4027	3770	3477	3119												
				BHP	0.61	0.65	0.69	0.72	0.74	0.75												
TD-21E820	1	1750	93	CFM	5344	5148	4929	4678	4373	4004	3446											
				BHP	0.77	0.82	0.87	0.91	0.94	0.96	0.94											
TD-21E824	1 1/2	1750	93	CFM	6234	6048	5845	5620	5361	5049	4618											
				BHP	1.00	1.06	1.11	1.16	1.20	1.23	1.24											
TD-21E828	1 1/2	1750	91	CFM	7130	6926	6707	6468	6208	5915	5501	4706										
				BHP	1.28	1.35	1.41	1.47	1.52	1.57	1.60	1.50										

NOTES:

1. Performance certified is for installation Type B: Free inlet, ducted outlet.
2. Performance ratings do not include the effects of appurtenances (accessories).
3. The sound power level ratings shown are in decibels, referred to 10⁻¹² watts calculated per AMCA Standard 301.
4. Values shown are for inlet LwiA sound power levels for installation Type B: Free inlet, ducted outlet. Ratings do not include the effects of end correction.
5. Sound power values shown are at the peak cataloged pressure for each RPM.

Performance Data – Direct Drive

TD – Die Cast Aluminum Propeller

SIZE	NO. OF BLADES	CATALOG NUMBER	MOTOR HP	FAN RPM	LwIA		STATIC PRESSURE (IN. W.G.)												
							0.000	0.125	0.250	0.375	0.500	0.625	0.750	0.875	1.000	1.250	1.500		
24	4 BLADES	TD-24E412	860	1/4	72	CFM	2432	1368											
						BHP	0.05	0.05											
		TD-24E416	860	1/4	75	CFM	3033	2085											
						BHP	0.06	0.08											
		TD-24E420	860	1/4	74	CFM	3634	2666											
						BHP	0.09	0.10											
		TD-24E424	860	1/4	72	CFM	4242	3289											
						BHP	0.12	0.14											
		TD-24E428	860	1/4	72	CFM	4706	3832											
						BHP	0.16	0.18											
		TD-24E432	860	1/4	73	CFM	5218	4270											
						BHP	0.21	0.23											
		TD-24E412	1160	1/4	81	CFM	3280	2558											
						BHP	0.12	0.13											
		TD-24E416	1160	1/4	82	CFM	4091	3495	2607										
						BHP	0.16	0.18	0.19										
		TD-24E420	1160	1/4	82	CFM	4901	4209	3399										
						BHP	0.21	0.24	0.26										
		TD-24E424	1160	1/3	79	CFM	5721	5016	4292										
						BHP	0.29	0.33	0.35										
	TD-24E428	1160	1/2	83	CFM	6348	5681	5037	3936										
					BHP	0.40	0.43	0.45	0.45										
	TD-24E432	1160	3/4	85	CFM	7038	6350	5611	4550										
					BHP	0.52	0.56	0.58	0.56										
	TD-24E412	1750	1/2	93	CFM	4949	4526	4005	3478	2876									
					BHP	0.42	0.43	0.45	0.45	0.44									
	TD-24E416	1750	3/4	94	CFM	6172	5802	5393	4929	4338									
					BHP	0.54	0.58	0.62	0.64	0.65									
	TD-24E420	1750	1	94	CFM	7394	6891	6456	6064	5522	4777								
					BHP	0.72	0.78	0.83	0.86	0.88	0.87								
	TD-24E424	1750	1½	89	CFM	8631	8157	7691	7245	6765	6216	5342							
					BHP	1.00	1.06	1.11	1.15	1.18	1.20	1.18							
TD-24E428	1750	1½	91	CFM	9576	9128	8690	8274	7861	7355	6693								
				BHP	1.36	1.41	1.46	1.50	1.54	1.57	1.57								
TD-24E432	1750	2	94	CFM	10617	10169	9709	9241	8761	8201	7507								
				BHP	1.80	1.85	1.89	1.94	1.97	1.99	1.98								
6 BLADES	TD-24E812	860	1/4	77	CFM	2338	1764												
					BHP	0.08	0.09												
	TD-24E816	860	1/4	77	CFM	3005	2426												
					BHP	0.10	0.12												
	TD-24E820	860	1/4	78	CFM	3694	3137												
					BHP	0.13	0.16												
	TD-24E824	860	1/4	76	CFM	4355	3845												
					BHP	0.18	0.21												
	TD-24E828	860	1/3	77	CFM	5022	4475	3550											
					BHP	0.23	0.27	0.29											
	TD-24E832	860	1/2	76	CFM	5641	5121	4339											
					BHP	0.31	0.35	0.38											
	TD-24E812	1160	1/4	84	CFM	3154	2747	2299											
					BHP	0.21	0.22	0.23											
	TD-24E816	1160	1/3	84	CFM	4053	3687	3230	2571										
					BHP	0.25	0.28	0.30	0.32										
	TD-24E820	1160	1/2	86	CFM	4982	4598	4141	3519										
					BHP	0.32	0.37	0.40	0.42										
	TD-24E824	1160	3/4	86	CFM	5874	5514	5111	4605										
					BHP	0.43	0.49	0.53	0.56										
TD-24E828	1160	3/4	84	CFM	6773	6389	5954	5430											
				BHP	0.57	0.63	0.68	0.72											
TD-24E832	1160	1	83	CFM	7608	7245	6826	6320	5385										
				BHP	0.77	0.82	0.87	0.91	0.91										

NOTES:

1. Performance certified is for installation Type B: Free inlet, ducted outlet.
2. Performance ratings do not include the effects of appurtenances (accessories).
3. The sound power level ratings shown are in decibels, referred to 10⁻¹² watts calculated per AMCA Standard 301.
4. Values shown are for inlet LwIA sound power levels for installation Type B: Free inlet, ducted outlet. Ratings do not include the effects of end correction.
5. Sound power values shown are at the peak cataloged pressure for each RPM.

Performance Data – Direct Drive

TD – Die Cast Aluminum Propeller

SIZE	NO. OF BLADES	CATALOG NUMBER	MOTOR HP	FAN RPM	LwiA		STATIC PRESSURE (IN. W.G.)															
							0.000	0.125	0.250	0.375	0.500	0.625	0.750	0.875	1.000	1.250	1.500					
24	8 BLADES	TD-24E812	3/4	1750	95	CFM	4758	4500	4225	3923	3629	3321										
						BHP	0.71	0.73	0.76	0.77	0.79	0.79										
		TD-24E816	1	1750	96	CFM	6114	5884	5634	5361	5055	4720	4337	3767								
						BHP	0.87	0.92	0.97	1.00	1.03	1.06	1.09	1.08								
		TD-24E820	1½	1750	97	CFM	7516	7272	7012	6732	6428	6090	5695	5220								
						BHP	1.10	1.18	1.25	1.31	1.36	1.41	1.44	1.45								
	TD-24E824	2	1750	97	CFM	8862	8630	8387	8132	7862	7585	7276	6861									
					BHP	1.49	1.58	1.66	1.73	1.80	1.85	1.89	1.92									
	TD-24E828	3	1750	95	CFM	10218	9972	9712	9439	9148	8844	8515	8112	7478								
					BHP	1.95	2.04	2.14	2.22	2.30	2.38	2.44	2.49	2.49								
	TD-24E832	3	1750	94	CFM	11478	11246	11001	10740	10461	10161	9836	9467	8999								
					BHP	2.64	2.72	2.80	2.88	2.95	3.02	3.08	3.13	3.17								
30	4 BLADES	TD-30E412	1/4	860	81	CFM	5284	4409	3183													
						BHP	0.25	0.25	0.26													
		TD-30E416	1/3	860	83	CFM	6504	5653	4612													
						BHP	0.30	0.34	0.36													
		TD-30E420	1/2	860	81	CFM	7566	6832	5875													
						BHP	0.39	0.44	0.47													
		TD-30E424	3/4	860	80	CFM	8765	7981	7003	5545												
						BHP	0.52	0.57	0.61	0.60												
		TD-30E428	3/4	860	79	CFM	9988	9048	8091	6580												
						BHP	0.66	0.73	0.76	0.77												
		TD-30E432	1	860	82	CFM	10852	9986	8938	7554												
						BHP	0.83	0.90	0.93	0.93												
		TD-30E412	3/4	1160	89	CFM	7127	6512	5812	4932	3835											
						BHP	0.61	0.61	0.63	0.64	0.61											
		TD-30E416	1	1160	90	CFM	8773	8149	7509	6796	5826											
						BHP	0.73	0.79	0.85	0.88	0.87											
		TD-30E420	1½	1160	91	CFM	10206	9683	9107	8468	7459	6406										
						BHP	0.96	1.03	1.09	1.13	1.15	1.15										
	TD-30E424	1½	1160	88	CFM	11823	11265	10649	9956	9108	8008											
					BHP	1.27	1.34	1.41	1.46	1.50	1.50											
	TD-30E428	2	1160	87	CFM	13472	12781	12077	11391	10581	9357	8299										
					BHP	1.63	1.73	1.81	1.85	1.88	1.89	1.87										
	TD-30E432	3	1160	90	CFM	14638	14018	13342	12589	11732	10722	9515										
					BHP	2.05	2.14	2.21	2.27	2.29	2.29	2.26										
	TD-30E412	3	1750	101	CFM	10752	10358	9943	9505	9040	8534	7956	7333	6678								
					BHP	2.09	2.10	2.11	2.12	2.14	2.17	2.20	2.21	2.17								
	TD-30E416	3	1750	102	CFM	13235	12826	12410	11987	11563	11135	10678	10158	9567	8019							
					BHP	2.50	2.60	2.70	2.79	2.87	2.94	2.99	3.01	3.01	2.93							
	TD-30E420	5	1750	101	CFM	15396	15059	14708	14342	13958	13558	13144	12693	12150	10554							
					BHP	3.29	3.40	3.50	3.60	3.68	3.77	3.84	3.90	3.95	3.96							
TD-30E424	5	1750	99	CFM	17836	17476	17101	16710	16300	15870	15417	14934	14408	13109	11621							
				BHP	4.37	4.48	4.58	4.68	4.78	4.87	4.95	5.02	5.08	5.18	5.13							
8 BLADES	TD-30E812	1/2	860	82	CFM	5264	4770	4097	3301													
					BHP	0.44	0.45	0.47	0.46													
	TD-30E816	3/4	860	83	CFM	6360	5863	5264	4480													
					BHP	0.49	0.54	0.57	0.58													
	TD-30E820	3/4	860	85	CFM	7426	7021	6438	5376													
					BHP	0.58	0.64	0.68	0.71													
	TD-30E824	1	860	85	CFM	9057	8500	7898	7210													
					BHP	0.75	0.82	0.89	0.96													
	TD-30E828	1½	860	83	CFM	10366	9914	9374	8639	7635												
					BHP	0.94	1.03	1.11	1.18	1.23												
	TD-30E832	1½	860	84	CFM	11637	11062	10419	9687	8716												
					BHP	1.18	1.29	1.38	1.44	1.49												

NOTES:

1. Performance certified is for installation Type B: Free inlet, ducted outlet.
2. Performance ratings do not include the effects of appurtenances (accessories).
3. The sound power level ratings shown are in decibels, referred to 10⁻¹² watts calculated per AMCA Standard 301.
4. Values shown are for inlet LwiA sound power levels for installation Type B: Free inlet, ducted outlet. Ratings do not include the effects of end correction.
5. Sound power values shown are at the peak cataloged pressure for each RPM.

Performance Data – Direct Drive

TD – Die Cast Aluminum Propeller

SIZE	NO. OF BLADES	CATALOG NUMBER	MOTOR HP	FAN RPM	LwiA		STATIC PRESSURE (IN. W.G.)														
							0.000	0.125	0.250	0.375	0.500	0.625	0.750	0.875	1.000	1.250	1.500				
30	8	TD-30E812	1½	1160	89	CFM	7100	6755	6357	5847	5357	4814	3991								
						BHP	1.07	1.09	1.12	1.14	1.15	1.14	1.10								
		TD-30E816	1½	1160	91	CFM	8578	8223	7835	7405	6916	6348	5595								
						BHP	1.20	1.27	1.33	1.38	1.41	1.42	1.41								
		TD-30E820	2	1160	93	CFM	10017	9733	9408	9017	8436	7659	6668								
						BHP	1.42	1.50	1.57	1.64	1.70	1.73	1.73								
		TD-30E824	3	1160	93	CFM	12216	11811	11387	10942	10488	9993	9347	8345							
						BHP	1.84	1.94	2.04	2.13	2.23	2.32	2.37	2.35							
		TD-30E828	3	1160	91	CFM	13983	13658	13306	12918	12478	11940	11287	10539	9556						
						BHP	2.32	2.43	2.54	2.65	2.76	2.86	2.95	3.02	3.02						
		TD-30E832	5	1160	92	CFM	15696	15279	14839	14370	13869	13332	12725	11992							
						BHP	2.90	3.04	3.18	3.30	3.41	3.50	3.58	3.65							
		TD-30E812	5	1750	101	CFM	10712	10491	10258	10011	9746	9454	9117	8759	8425	7796	6950				
						BHP	3.67	3.71	3.75	3.78	3.82	3.85	3.89	3.92	3.94	3.96	3.88				
TD-30E816	5	1750	103	CFM	12941	12711	12472	12225	11968	11699	11417	11119	10840	10114	9311						
				BHP	4.11	4.22	4.33	4.42	4.52	4.60	4.68	4.74	4.79	4.87	4.89						
TD-30E820	5	1750	104	CFM	15111	14929	14738	14535	14319	14087											
				BHP	4.88	5.00	5.11	5.23	5.34	5.44											
36	4	TD-36E412	1/2	860	84	CFM	7370	5968	4321												
						BHP	0.40	0.40	0.38												
		TD-36E416	1/2	860	87	CFM	9167	8053	6473												
						BHP	0.47	0.53	0.53												
		TD-36E420	3/4	860	87	CFM	11425	10342	8808	6497											
						BHP	0.61	0.69	0.73	0.72											
		TD-36E424	1	860	85	CFM	13358	12183	10852	8814											
						BHP	0.82	0.90	0.98	0.99											
		TD-36E428	1½	860	83	CFM	15168	14059	12750	11128											
						BHP	1.08	1.18	1.26	1.30											
		TD-36E432	1½	860	84	CFM	16782	15617	14317	12694											
						BHP	1.39	1.50	1.57	1.61											
		TD-36E412	1	1160	92	CFM	9941	8848	7852	6623	5326										
						BHP	0.98	0.96	0.97	0.96	0.94										
		TD-36E416	1½	1160	94	CFM	12364	11568	10703	9682	8147										
						BHP	1.15	1.125	1.30	1.31	1.29										
		TD-36E420	2	1160	95	CFM	15411	14656	13780	12670	11406	9741									
						BHP	1.51	1.61	1.70	1.76	1.81	1.80									
		TD-36E424	3	1160	97	CFM	18017	17169	16265	15307	14210	12762	10623								
						BHP	2.01	2.12	2.22	2.33	2.42	2.46	2.35								
		TD-36E428	3	1160	91	CFM	20459	19663	18802	17858	16801	15616	14076								
						BHP	2.65	2.79	2.92	3.03	3.11	3.17	3.19								
		TD-36E432	5	1160	94	CFM	22636	21793	20899	19948	18934	17757	16263	14156							
						BHP	3.42	3.57	3.70	3.81	3.88	3.93	3.97	3.83							
		TD-36E412	5	1750	105	CFM	14998	14246	13536	12883	12239	11495	10659	9853	9035						
						BHP	3.35	3.31	3.30	3.31	3.33	3.33	3.31	3.27	3.23						
		TD-36E416	5	1750	106	CFM	18653	18138	17604	17047	16470	15877	15234	14457	13466	11296					
						BHP	3.94	4.11	4.25	4.36	4.44	4.48	4.49	4.50	4.49	4.37					
		TD-36E420	7½	1750	109	CFM	23249	22766	22256	21714	21131	20492	19768	18975	18158	16348	13852				
						BHP	5.18	5.34	5.49	5.64	5.77	5.89	5.99	6.07	6.14	6.22	6.13				
		TD-36E424	10	1750	105	CFM	27181	26629	26061	25478	24878	24259	23629	22979	22288	20655	18515				
						BHP	6.90	7.06	7.23	7.39	7.55	7.71	7.87	8.03	8.18	8.39	8.40				
TD-36E428	10	1750	104	CFM	30865	30348	29814	29262	28691	28097	27477	26828	26144	24661	23030						
				BHP	9.08	9.31	9.53	9.74	9.93	10.11	10.28	10.43	10.56	10.77	10.93						

NOTES:

1. Performance certified is for installation Type B: Free inlet, ducted outlet.
2. Performance ratings do not include the effects of appurtenances (accessories).
3. The sound power level ratings shown are in decibels, referred to 10⁻¹² watts calculated per AMCA Standard 301.
4. Values shown are for inlet LwiA sound power levels for installation Type B: Free inlet, ducted outlet. Ratings do not include the effects of end correction.
5. Sound power values shown are at the peak cataloged pressure for each RPM.

Performance Data – Direct Drive

TD – Die Cast Aluminum Propeller

SIZE	NO. OF BLADES	CATALOG NUMBER	MOTOR HP	FAN RPM	LwiA	STATIC PRESSURE (IN. W.G.)																
						0.000	0.125	0.250	0.375	0.500	0.625	0.750	0.875	1.000	1.250	1.500						
36	8	TD-36E812	3/4	860	87	CFM	6990	6137	5298	4328												
						BHP	0.67	0.69	0.69	0.70												
		TD-36E816	1	860	87	CFM	9166	8387	7549	6499	5281											
						BHP	0.77	0.82	0.86	0.89	0.91											
		TD-36E820	1½	860	90	CFM	11294	10698	9960	8923	7536											
						BHP	0.94	1.02	1.10	1.17	1.20											
		TD-36E824	1½	860	92	CFM	13857	13161	12342	11284	10025											
						BHP	1.19	1.32	1.43	1.53	1.57											
		TD-36E828	2	860	88	CFM	15974	15354	14633	13727	12373											
						BHP	1.52	1.66	1.79	1.91	1.99											
		TD-36E832	3	860	87	CFM	18105	17459	16715	15800	14520											
						BHP	2.03	2.21	2.36	2.48	2.54											
		TD-36E812	2	1160	93	CFM	9428	8790	8166	7548	6914	6200	5444	4712								
						BHP	1.65	1.67	1.68	1.68	1.69	1.71	1.71	1.69								
		TD-36E816	3	1160	94	CFM	12363	11795	11203	10591	9935	9157	8298	7384								
						BHP	1.89	1.97	2.04	2.09	2.13	2.17	2.21	2.22								
		TD-36E820	3	1160	98	CFM	15234	14809	14341	13817	13190	12415	11562	10535								
						BHP	2.30	2.41	2.53	2.64	2.74	2.84	2.90	2.94								
		TD-36E824	5	1160	100	CFM	18691	18191	17651	17060	16394	15612	14746	13817								
						BHP	2.92	3.09	3.26	3.42	3.57	3.70	3.80	3.86								
TD-36E828	5	1160	98	CFM	21546	21100	20621	20099	19521	18859	18064	17055	15368									
				BHP	3.73	3.92	4.11	4.29	4.46	4.62	4.77	4.88	4.85									
TD-36E832	7½	1160	95	CFM	24420	23955	23457	22918	22325	21657	20862	19890	18663									
				BHP	4.99	5.23	5.45	5.67	5.86	6.03	6.15	6.23	6.28									
TD-36E812	7½	1750	107	CFM	14224	13799	13377	12959	12545	12137	11730	11315	10898	10034	9027							
				BHP	5.66	5.70	5.74	5.76	5.78	5.78	5.78	5.79	5.80	5.84	5.88							
TD-36E816	7½	1750	108	CFM	18652	18279	17900	17515	17122	16721	16317	15907	15484	14552	13465							
				BHP	6.49	6.61	6.73	6.83	6.94	7.03	7.11	7.18	7.24	7.37	7.50							
TD-36E820	10	1750	109	CFM	22983	22707	22422	22124	21814	21488	21144	20780	20386	19461	18391							
				BHP	7.88	8.06	8.24	8.41	8.59	8.76	8.93	9.09	9.25	9.56	9.82							
TD-36E824	10	1750	108	CFM	28198	27873	27538	27191														
				BHP	10.02	10.29	10.55	10.81														
42	4	TD-42E412	1½	860	92	CFM	13701	12433	11042	9311												
						BHP	1.20	1.21	1.23	1.25												
		TD-42E416	2	860	92	CFM	16907	15708	14462	13039												
						BHP	1.43	1.56	1.65	1.70												
		TD-42E420	3	860	93	CFM	20014	18981	17826	16504	14519	12390										
						BHP	1.88	2.02	2.13	2.22	2.26	2.24										
		TD-42E424	3	860	91	CFM	23240	22124	20901	19541	17884	15703										
						BHP	2.50	2.64	2.76	2.88	2.96	2.97										
		TD-42E428	5	860	89	CFM	26459	25165	23820	22466	20911	18644										
						BHP	3.22	3.42	3.58	3.67	3.73	3.76										
		TD-42E432	5	860	92	CFM	28884	27676	26366	24924	23296	21352	18959									
						BHP	4.07	4.25	4.40	4.51	4.57	4.59	4.53									
		TD-42E412	3	1160	99	CFM	18480	17558	16592	15584	14472	13175	11812									
						BHP	2.94	2.95	2.96	2.99	3.03	3.07	3.03									
		TD-42E416	5	1160	100	CFM	22804	21926	20123	20099	19163	18129	16884	15391								
						BHP	3.50	3.69	3.85	3.99	4.09	4.17	4.18	4.14								
		TD-42E420	7½	1160	100	CFM	26996	26247	25456	24613	23713	22745	21632	20090	18393							
						BHP	4.61	4.80	4.98	5.14	5.28	5.40	5.50	5.55	5.55							
		TD-42E424	7½	1160	97	CFM	31347	30536	29686	28791	27843	26842	25755	24512	23012							
						BHP	6.13	6.32	6.50	6.68	6.84	6.99	7.13	7.24	7.31							
TD-42E428	10	1160	97	CFM	35689	34737	33766	32775	31765	30767	29734	28575	27095									
				BHP	7.89	8.18	8.43	8.66	8.84	8.96	9.06	9.14	9.21									
TD-42E432	10	1160	99	CFM	38960	38079	37161	36201	35192													
				BHP	9.98	10.24	10.47	10.68	10.87													

NOTES:

1. Performance certified is for installation Type B: Free inlet, ducted outlet.
2. Performance ratings do not include the effects of appurtenances (accessories).
3. The sound power level ratings shown are in decibels, referred to 10⁻¹² watts calculated per AMCA Standard 301.
4. Values shown are for inlet LwiA sound power levels for installation Type B: Free inlet, ducted outlet. Ratings do not include the effects of end correction.
5. Sound power values shown are at the peak cataloged pressure for each RPM.

Performance Data – Direct Drive

TD – Die Cast Aluminum Propeller

SIZE	NO. OF BLADES	CATALOG NUMBER	MOTOR HP	FAN RPM	LwiA		STATIC PRESSURE (IN. W.G.)															
							0.000	0.125	0.250	0.375	0.500	0.625	0.750	0.875	1.000	1.250	1.500					
42	8 BLADES	TD-42E812	3	860	91	CFM	13489	12777	11965	10982	10054											
						BHP	2.09	2.13	2.18	2.21	2.23											
		TD-42E816	3	860	93	CFM	16624	15907	15131	14279	13323	12204	10768									
						BHP	2.35	2.50	2.63	2.71	2.75	2.78	2.77									
		TD-42E820	5	860	95	CFM	19679	19113	18470	17706	16622	15211	13503									
						BHP	2.80	2.96	3.10	3.24	3.36	3.44	3.46									
		TD-42E824	5	860	96	CFM	24039	23266	22450	21581	20667	19659	18398	16578								
						BHP	3.61	3.82	4.01	4.21	4.39	4.57	4.68	4.67								
		TD-42E828	7½	860	94	CFM	27566	26931	26242	25483	24626	23589	22315	20779	18676							
						BHP	4.57	4.80	5.02	5.24	5.45	5.65	5.82	5.95	5.93							
		TD-42E832	7½	860	94	CFM	31022	30248	29425	28541	27581	26529	25328	23865								
						BHP	5.79	6.08	6.36	6.61	6.83	7.01	7.15	7.27								
		TD-42E812	5	1160	99	CFM	18195	17680	17133	16544	15891	15155	14424	13749	13049							
						BHP	5.12	5.19	5.25	5.31	5.36	5.41	5.44	5.47	5.48							
TD-42E816	7½	1160	101	CFM	22423	21900	21355	20787	20190	19561	18894	18179	17406	15586								
				BHP	5.77	5.98	6.18	6.35	6.50	6.61	6.68	6.72	6.77	6.82								
TD-42E820	10	1160	104	CFM	26544	26135	25700	25233	24724	24163	23515	22688	21670	19459								
				BHP	6.88	7.09	7.29	7.49	7.68	7.87	8.04	8.20	8.33	8.48								
TD-42E824	10	1160	102	CFM	32424	31858	31276	30675	30055	29412	28748	28069	27360									
				BHP	8.87	9.14	9.42	9.68	9.95	10.20	10.46	10.71	10.96									
48	4 BLADES	TD-48E412	2	860	94	CFM	17470	15508	13704	11489												
						BHP	1.68	1.65	1.67	1.64												
		TD-48E416	3	860	95	CFM	21729	20296	18734	16853	14039											
						BHP	1.97	2.15	2.24	2.25	2.21											
		TD-48E420	3	860	96	CFM	27081	25722	24135	22115	19816	16697										
						BHP	2.59	2.77	2.93	3.03	3.10	3.08										
		TD-48E424	5	860	93	CFM	31663	30137	28506	26777	24765	22074										
						BHP	3.45	3.64	3.83	4.02	4.17	4.22										
		TD-48E428	5	860	92	CFM	35953	34520	32968	31260	29339	27184										
						BHP	4.54	4.80	5.03	5.22	5.35	5.46										
		TD-48E432	7½	860	93	CFM	39779	38262	36651	34935	33096	30933	28148									
						BHP	5.87	6.13	6.36	6.54	6.67	6.76	6.80									
	TD-48E412	5	1160	100	CFM	23564	22066	20681	19397	17905	16235	14614	12839									
					BHP	4.11	4.06	4.05	4.08	4.08	4.05	3.97	3.95									
	TD-48E416	7½	1160	102	CFM	29309	28267	27174	26023	24830	23484	21680	19562	17355								
					BHP	4.84	5.09	5.30	5.44	5.50	5.51	5.52	5.46	5.34								
	TD-48E420	7½	1160	104	CFM	36528	35550	34498	33352	32067	30569	28943	27236	25285								
					BHP	6.36	6.61	6.84	7.06	7.24	7.39	7.51	7.60	7.64								
	TD-48E424	10	1160	103	CFM	42708	41592	40438	39240	37997	36722	35374	33866	32097	27284							
					BHP	8.46	8.72	8.98	9.23	9.48	9.74	9.98	10.18	10.32	10.14							
	8 BLADES	TD-48E812	3	860	95	CFM	16569	15422	14300	13186	12043	10732	9397									
						BHP	2.83	2.87	2.89	2.89	2.91	2.94	2.93									
		TD-48E816	5	860	96	CFM	21726	20705	19638	18536	17343	15918	14362	12707								
						BHP	3.24	3.38	3.50	3.59	3.66	3.74	3.80	3.82								
TD-48E820		5	860	99	CFM	26772	26006	25162	24211	23062	21648	20089	18144									
					BHP	3.94	4.15	4.35	4.55	4.73	4.89	5.00	5.05									
TD-48E824		7½	860	100	CFM	32847	31946	30972	29904	28690	27262	25694	23980									
					BHP	5.01	5.32	5.62	5.89	6.15	6.37	6.54	6.63									
TD-48E828		10	860	100	CFM	37863	37061	36196	35253	34203	32992	31523	29606	26330								
					BHP	6.40	6.74	7.07	7.38	7.69	7.97	8.22	8.39	8.29								
TD-48E832		10	860	97	CFM	42915	42077	41179	40204	39129	37909	36442	34641	32292								
					BHP	8.57	8.99	9.38	9.75	10.10	10.39	10.59	10.71	10.79								
TD-48E812	7½	1160	102	CFM	22349	21494	20649	19813	18993	18170	17332	16486	15590	13537	11621							
				BHP	6.95	7.01	7.06	7.09	7.10	7.10	7.11	7.14	7.17	7.22	7.14							
TD-48E816	10	1160	104	CFM	29305	28555	27787	27001	26196	25381	24544	23654	22670	20442	18055							
				BHP	7.96	8.15	8.33	8.49	8.64	8.76	8.86	8.96	9.07	9.26	9.36							
TD-48E820	10	1160	106	CFM	36111	35554	34970	34353	33699													
				BHP	9.67	9.96	10.23	10.51	10.77													

NOTES:

1. Performance certified is for installation Type B: Free inlet, ducted outlet.
2. Performance ratings do not include the effects of appurtenances (accessories).
3. The sound power level ratings shown are in decibels, referred to 10⁻¹² watts calculated per AMCA Standard 301.
4. Values shown are for inlet LwiA sound power levels for installation Type B: Free inlet, ducted outlet. Ratings do not include the effects of end correction.
5. Sound power values shown are at the peak cataloged pressure for each RPM.

Performance Data – Belt Driven

TB – Die Cast Aluminum Propeller

SIZE	NO. OF BLADES	CATALOG NUMBER	MOTOR HP	FAN RPM	LwiA		STATIC PRESSURE (IN. W.G.)													
							0.000	0.125	0.250	0.375	0.500	0.625	0.750	0.875	1.000	1.250	1.500			
14	4 BLADES	TB-14E432	1/4	1680	80	CFM	2105	1864												
						BHP	0.25	0.25												
		TB-14E428	1/4	1780	81	CFM	2058	1884	1630											
						BHP	0.24	0.25	0.25											
		TB-14E420	1/4	1994	82	CFM	1948	1815	1629	1366										
						BHP	0.22	0.23	0.25	0.25										
		TB-14E432	1/3	1849	83	CFM	2317	2102	1821											
						BHP	0.33	0.33	0.33											
		TB-14E428	1/3	1957	83	CFM	2262	2108	1910											
						BHP	0.32	0.33	0.33											
		TB-14E420	1/3	2197	85	CFM	2146	2028	1879	1670										
						BHP	0.29	0.31	0.32	0.33										
	TB-14E432	1/2	2116	86	CFM	2651	2469	2256												
					BHP	0.49	0.50	0.50												
	TB-14E428	1/2	2242	87	CFM	2592	2460	2304	2102											
					BHP	0.48	0.49	0.50	0.50											
	TB-14E420	1/2	2518	88	CFM	2460	2359	2242	2091	1903	1645									
					BHP	0.44	0.46	0.48	0.49	0.50	0.49									
	TB-14E432	3/4	2422	90	CFM	3035	2878	2701	2500											
					BHP	0.73	0.74	0.75	0.75											
TB-14E428	3/4	2566	90	CFM	2966	2854	2726	2579	2390											
				BHP	0.72	0.73	0.74	0.75	0.75											
TB-14E420	3/4	2880	92	CFM	2814	2727	2630	2520	2380	2215	2034									
				BHP	0.66	0.69	0.70	0.72	0.74	0.75	0.75									
8 BLADES	TB-14E832	1/4	1547	80	CFM	1954	1738													
					BHP	0.24	0.25													
	TB-14E832	1/3	1702	83	CFM	2150	1968													
					BHP	0.32	0.33													
TB-14E832	1/2	1946	86	CFM	2458	2309	2023													
				BHP	0.48	0.50	0.49													
TB-14E832	3/4	2230	90	CFM	2816	2692	2522													
				BHP	0.73	0.74	0.75													
16	4 BLADES	TB-16E432	1/4	1410	78	CFM	2655	2368												
						BHP	0.24	0.25												
		TB-16E428	1/4	1500	79	CFM	2589	2348	1983											
						BHP	0.23	0.25	0.25											
		TB-16E420	1/4	1710	82	CFM	2421	2234	1957											
						BHP	0.22	0.24	0.25											
		TB-16E432	1/3	1550	81	CFM	2919	2668	2271											
						BHP	0.32	0.33	0.33											
		TB-16E428	1/3	1651	82	CFM	2850	2637	2355											
						BHP	0.31	0.33	0.33											
		TB-16E420	1/3	1882	84	CFM	2665	2499	2278	1977										
						BHP	0.29	0.31	0.33	0.33										
		TB-16E432	1/2	1775	85	CFM	3342	3132	2848											
						BHP	0.48	0.49	0.50											
		TB-16E428	1/2	1890	85	CFM	3262	3081	2864	2569										
						BHP	0.47	0.48	0.50	0.50										
	TB-16E420	1/2	2154	88	CFM	3050	2909	2740	2511	2242										
					BHP	0.44	0.46	0.48	0.50	0.50										
	TB-16E432	3/4	2032	89	CFM	3826	3647	3432	3135											
					BHP	0.72	0.74	0.75	0.75											
TB-16E428	3/4	2164	89	CFM	3735	3580	3404	3195	2919											
				BHP	0.70	0.72	0.74	0.75	0.75											
TB-16E420	3/4	2466	91	CFM	3492	3371	3234	3071	2859	2628										
				BHP	0.66	0.68	0.71	0.73	0.75	0.75										
TB-16E432	1	2237	91	CFM	4212	4052	3867	3638	3333											
				BHP	0.96	0.98	0.99	1.00	0.99											
TB-16E428	1	2382	92	CFM	4111	3972	3818	3643	3437	3163										
				BHP	0.93	0.96	0.98	0.99	1.00	1.00										
TB-16E420	1	2714	93	CFM	3843	3734	3614	3478	3315	3114	2905	2625								
				BHP	0.88	0.91	0.93	0.96	0.98	1.00	1.00	0.97								

NOTES:

1. Performance certified is for installation Type B: Free inlet, ducted outlet.
2. Power rating (BHP) does not include transmission losses.
3. Performance ratings do not include the effects of appurtenances (accessories).
4. The sound power level ratings shown are in decibels, referred to 10⁻¹² watts calculated per AMCA Standard 301.
5. Values shown are for inlet LwiA sound power levels for installation Type B: Free inlet, ducted outlet. Ratings do not include the effects of end correction.
6. Sound power values shown are at the peak cataloged pressure for each RPM.

Performance Data – Belt Driven

TB – Die Cast Aluminum Propeller

SIZE	NO. OF BLADES	CATALOG NUMBER	MOTOR HP	FAN RPM	LwiA		STATIC PRESSURE (IN. W.G.)												
							0.000	0.125	0.250	0.375	0.500	0.625	0.750	0.875	1.000	1.250	1.500		
16	8 BLADES	TB-16E832	1/4	1270	78	CFM	2532	2276											
						BHP	0.24	0.25											
		TB-16E832	1/3	1395	80	CFM	2782	2561											
						BHP	0.31	0.33											
		TB-16E832	1/2	1600	84	CFM	3190	3008	2722										
						BHP	0.47	0.49	0.50										
		TB-16E832	3/4	1830	87	CFM	3649	3495	3298	2933									
						BHP	0.70	0.73	0.75	0.74									
		TB-16E832	1	2015	90	CFM	4018	3881	3716	3485									
						BHP	0.94	0.97	0.99	1.00									
18	4 BLADES	TB-18E432	1/4	1208	78	CFM	3257	2914											
						BHP	0.24	0.25											
		TB-18E428	1/4	1287	79	CFM	3163	2840	2359										
						BHP	0.22	0.24	0.25										
		TB-18E420	1/4	1500	81	CFM	2955	2701	2321										
						BHP	0.21	0.24	0.25										
		TB-18E432	1/3	1330	80	CFM	3586	3289	2764										
						BHP	0.32	0.33	0.33										
		TB-18E428	1/3	1416	80	CFM	3481	3194	2802										
						BHP	0.30	0.32	0.33										
		TB-18E420	1/3	1651	84	CFM	3252	3027	2719	2298									
						BHP	0.29	0.32	0.33	0.33									
		TB-18E432	1/2	1523	84	CFM	4106	3859	3494	2954									
						BHP	0.48	0.49	0.50	0.49									
		TB-18E428	1/2	1622	85	CFM	3987	3744	3446	3053									
						BHP	0.44	0.47	0.49	0.50									
		TB-18E420	1/2	1892	88	CFM	3727	3536	3305	2989	2599								
						BHP	0.43	0.47	0.49	0.50	0.49								
		TB-18E432	3/4	1743	87	CFM	4699	4489	4229	3819	3339								
						BHP	0.72	0.73	0.74	0.75	0.74								
		TB-18E428	3/4	1855	88	CFM	4560	4352	4113	3821	3463								
						BHP	0.67	0.69	0.72	0.74	0.75								
		TB-18E420	3/4	2163	91	CFM	4261	4097	3910	3683	3394	3074							
						BHP	0.64	0.69	0.72	0.74	0.75	0.74							
		TB-18E432	1	1919	89	CFM	5174	4986	4766	4472	4054	3581							
						BHP	0.96	0.97	0.98	0.99	1.00	0.97							
		TB-18E428	1	2043	92	CFM	5022	4835	4627	4387	4096	3760							
						BHP	0.89	0.92	0.95	0.97	1.00	1.00							
		TB-18E420	1	2382	94	CFM	4693	4545	4382	4196	3966	3697	3407						
						BHP	0.86	0.91	0.95	0.98	1.00	1.00	0.99						
		TB-18E432	1½	2197	94	CFM	5923	5762	5582	5372	5097	4728	4363						
						BHP	1.44	1.45	1.47	1.48	1.49	1.50	1.49						
		TB-18E428	1½	2339	95	CFM	5749	5588	5414	5223	5007	4756	4473						
						BHP	1.33	1.37	1.40	1.43	1.46	1.49	1.50						
		TB-18E420	1½	2727	97	CFM	5372	5245	5108	4958	4792	4594	4364	3858					
						BHP	1.29	1.34	1.40	1.44	1.48	1.50	1.50	1.49					
8 BLADES	TB-18E832	1/4	1065	75	CFM	3150	2833												
					BHP	0.23	0.25												
	TB-18E832	1/3	1173	76	CFM	3470	3196	2675											
					BHP	0.31	0.33	0.33											
	TB-18E832	1/2	1344	81	CFM	3976	3748	3412											
					BHP	0.46	0.49	0.50											
	TB-18E832	3/4	1538	85	CFM	4549	4357	4116	3721										
					BHP	0.69	0.72	0.74	0.75										
	TB-18E832	1	1693	87	CFM	5008	4836	4632	4361	3932									
					BHP	0.92	0.95	0.98	1.00	0.99									
	TB-18E832	1½	1938	90	CFM	5733	5585	5419	5225	4971	4593								
					BHP	1.38	1.42	1.45	1.48	1.50	1.49								

NOTES:

1. Performance certified is for installation Type B: Free inlet, ducted outlet.
2. Power rating (BHP) does not include transmission losses.
3. Performance ratings do not include the effects of appurtenances (accessories).
4. The sound power level ratings shown are in decibels, referred to 10⁻¹² watts calculated per AMCA Standard 301.
5. Values shown are for inlet LwiA sound power levels for installation Type B: Free inlet, ducted outlet. Ratings do not include the effects of end correction.
6. Sound power values shown are at the peak cataloged pressure for each RPM.

Performance Data – Belt Driven

TB – Die Cast Aluminum Propeller

SIZE	NO. OF BLADES	CATALOG NUMBER	MOTOR HP	FAN RPM	LwiA		STATIC PRESSURE (IN. W.G.)												
							0.000	0.125	0.250	0.375	0.500	0.625	0.750	0.875	1.000	1.250	1.500		
24	4	TB-24E432	1/3	950	77	CFM	5593	4825											
						BHP	0.30	0.33											
		TB-24E424	1/3	1092	78	CFM	5290	4651	3851										
						BHP	0.28	0.32	0.33										
		TB-24E416	1/3	1315	84	CFM	4679	4232	3641										
						BHP	0.29	0.32	0.33										
		TB-24E432	1/2	1088	80	CFM	6405	5781	4910										
						BHP	0.46	0.49	0.50										
		TB-24E424	1/2	1251	83	CFM	6060	5511	4899	4051									
						BHP	0.42	0.46	0.49	0.50									
		TB-24E416	1/2	1506	88	CFM	5358	4979	4524	3899									
						BHP	0.43	0.47	0.49	0.50									
		TB-24E432	3/4	1245	84	CFM	7329	6804	6089	5344									
						BHP	0.69	0.73	0.75	0.75									
		TB-24E424	3/4	1432	87	CFM	6937	6463	5953	5366	4573								
						BHP	0.64	0.68	0.72	0.74	0.75								
		TB-24E416	3/4	1724	92	CFM	6134	5808	5439	5003	4415								
						BHP	0.65	0.69	0.72	0.74	0.75								
		TB-24E432	1	1372	86	CFM	8077	7610	7029	6305	5552								
						BHP	0.92	0.96	0.99	1.00	0.99								
		TB-24E424	1	1575	90	CFM	7629	7201	6746	6258	5665	4884							
						BHP	0.85	0.90	0.94	0.97	0.99	0.99							
		TB-24E416	1	1900	95	CFM	6760	6468	6145	5781	5349	4774							
						BHP	0.87	0.91	0.95	0.98	1.00	1.00							
		TB-24E432	1½	1570	90	CFM	9243	8842	8383	7799	7175	6581							
						BHP	1.37	1.43	1.47	1.49	1.50	1.50							
		TB-24E424	1½	1804	95	CFM	8739	8368	7979	7572	7139	6630	6011	5182					
						BHP	1.27	1.33	1.39	1.43	1.46	1.49	1.50	1.46					
		TB-24E416	1½	2175	99	CFM	7739	7486	7215	6919	6594	6223	5767	5181					
						BHP	1.30	1.35	1.40	1.44	1.48	1.50	1.50	1.49					
		TB-24E432	2	1728	92	CFM	10173	9813	9413	8946	8362	7820	7282						
						BHP	1.83	1.89	1.94	1.98	2.00	2.00	2.00						
		TB-24E424	2	1984	97	CFM	9610	9275	8925	8561	8186	7782	7316	6768	6102				
						BHP	1.69	1.76	1.82	1.88	1.92	1.95	1.98	2.00	1.97				
		TB-24E416	2	2392	101	CFM	8511	8282	8040	7782	7504	7200	6861	6459	5971				
						BHP	1.73	1.79	1.84	1.89	1.93	1.97	1.99	2.00	1.99				
TB-24E432	3	1977	96	CFM	11639	11328	10992	10624	10201	9692	9188	8749	8241						
				BHP	2.74	2.81	2.88	2.93	2.97	2.99	2.99	3.00	2.99						
TB-24E424	3	2272	101	CFM	11006	10714	10413	10103	9783	9456	9115	8741	8319	7296					
				BHP	2.54	2.62	2.70	2.76	2.82	2.87	2.90	2.94	2.97	2.98					
TB-24E416	3	2738	105	CFM	9742	9544	9337	9120	8891	8650	8392	8114	7809	7052					
				BHP	2.59	2.66	2.73	2.79	2.84	2.89	2.93	2.96	2.99	3.00					
8	8	TB-24E832	1/3	814	76	CFM	5309	4705											
						BHP	0.28	0.32											
		TB-24E832	1/2	931	80	CFM	6072	5569	4845										
						BHP	0.41	0.46	0.50										
		TB-24E832	3/4	1066	84	CFM	6952	6527	5990	5239									
						BHP	0.62	0.68	0.73	0.75									
		TB-24E832	1	1174	86	CFM	7657	7277	6827	6236									
						BHP	0.83	0.89	0.95	0.99									
		TB-24E832	1½	1344	89	CFM	8766	8440	8073	7641	7098	6427							
						BHP	1.24	1.32	1.39	1.44	1.49	1.49							
		TB-24E832	2	1480	92	CFM	9653	9359	9037	8676	8250	7733	7125						
						BHP	1.66	1.74	1.82	1.89	1.95	1.99	1.99						
		TB-24E832	3	1694	95	CFM	11048	10795	10523	10230	9907	9540	9113	8628	8062				
						BHP	2.49	2.58	2.68	2.76	2.84	2.91	2.96	2.99	2.98				

NOTES:

1. Performance certified is for installation Type B: Free inlet, ducted outlet.
2. Power rating (BHP) does not include transmission losses.
3. Performance ratings do not include the effects of appurtenances (accessories).
4. The sound power level ratings shown are in decibels, referred to 10⁻¹² watts calculated per AMCA Standard 301.
5. Values shown are for inlet LwiA sound power levels for installation Type B: Free inlet, ducted outlet. Ratings do not include the effects of end correction.
6. Sound power values shown are at the peak cataloged pressure for each RPM.

Performance Data – Belt Driven

TB – Die Cast Aluminum Propeller

SIZE	NO. OF BLADES	CATALOG NUMBER	MOTOR HP	FAN RPM	LwiA	STATIC PRESSURE (IN. W.G.)																	
						0.000	0.125	0.250	0.375	0.500	0.625	0.750	0.875	1.000	1.250	1.500							
30	4 BLADES	TB-30E432	1/2	698	78	CFM	8511	7369	5859														
						BHP	0.45	0.49	0.49														
		TB-30E424	1/2	809	80	CFM	7965	7170	5986														
						BHP	0.43	0.47	0.50														
		TB-30E416	1/2	962	85	CFM	7118	6343	5501	4212													
						BHP	0.42	0.48	0.50	0.48													
		TB-30E432	3/4	799	82	CFM	9742	8784	7580														
						BHP	0.68	0.72	0.75														
		TB-30E424	3/4	925	84	CFM	9108	8440	7510	6396													
						BHP	0.65	0.69	0.73	0.75													
		TB-30E416	3/4	1102	89	CFM	8154	7479	6803	5917	4744												
						BHP	0.64	0.70	0.74	0.75	0.72												
		TB-30E432	1	881	85	CFM	10742	9889	8848	7683													
						BHP	0.91	0.96	1.00	1.00													
		TB-30E424	1	1019	86	CFM	10033	9440	8688	7711	6630												
						BHP	0.86	0.91	0.96	1.00	1.00												
		TB-30E416	1	1213	92	CFM	8975	8363	7749	7085	6150	5036											
						BHP	0.85	0.92	0.97	0.99	0.99	0.95											
		TB-30E432	1½	1008	89	CFM	12291	11559	10721	9741	8700												
						BHP	1.36	1.42	1.47	1.50	1.49												
	TB-30E424	1½	1167	91	CFM	11490	10984	10396	9635	8775	7845												
					BHP	1.30	1.35	1.41	1.47	1.50	1.50												
	TB-30E416	1½	1388	96	CFM	10270	9737	9195	8663	8057	7244	6320	5221										
					BHP	1.27	1.36	1.42	1.47	1.49	1.50	1.45	1.38										
	TB-30E432	2	1109	92	CFM	13522	12864	12135	11290	10390	9374												
					BHP	1.81	1.88	1.93	1.98	2.00	1.98												
	TB-30E424	2	1283	92	CFM	12632	12177	11665	11060	10295	9517	8664	7629										
					BHP	1.72	1.78	1.84	1.91	1.97	2.00	2.00	1.96										
	TB-30E416	2	1527	99	CFM	11298	10814	10324	9836	9345	8759	8010	7185	6261									
					BHP	1.69	1.79	1.87	1.93	1.96	1.99	1.99	1.95	1.88									
	TB-30E432	3	1270	96	CFM	15485	14917	14305	13634	12878	12088	11288	10163										
					BHP	2.72	2.80	2.86	2.93	2.98	3.00	2.99	2.94										
TB-30E424	3	1469	97	CFM	14464	14071	13644	13172	12623	11958	11276	10582	9813										
				BHP	2.58	2.65	2.72	2.79	2.87	2.94	2.99	3.00	2.99										
TB-30E416	3	1749	102	CFM	12941	12519	12093	11663	11239	10814	10342	9761	9086	7590									
				BHP	2.55	2.66	2.75	2.83	2.90	2.94	2.98	3.00	2.99	2.87									
TB-30E432	5	1505	100	CFM	18350	17876	17377	16849	16284	15665	15004	14339	13679	11817									
				BHP	4.53	4.62	4.70	4.78	4.85	4.92	4.97	5.00	4.99	4.87									
TB-30E424	5	1742	102	CFM	17152	16824	16478	16108	15711	15275	14769	14198	13619	12452	11111								
				BHP	4.31	4.39	4.48	4.56	4.64	4.72	4.81	4.90	4.96	5.00	4.98								
TB-30E416	5	2074	107	CFM	15346	14990	14633	14272	13909	13549	13195	12835	12449	11489	10332								
				BHP	4.24	4.38	4.50	4.61	4.71	4.79	4.85	4.90	4.95	5.00	4.96								
8 BLADES	TB-30E832	1/2	602	76	CFM	7851	6962	5643															
					BHP	0.40	0.47	0.50															
	TB-30E832	3/4	689	82	CFM	8986	8234	7289															
					BHP	0.61	0.68	0.73															
	TB-30E832	1	759	83	CFM	9899	9228	8434	7387														
					BHP	0.81	0.90	0.96	1.00														
	TB-30E832	1½	869	87	CFM	11333	10758	10109	9351	8378													
					BHP	1.22	1.32	1.41	1.47	1.50													
	TB-30E832	2	956	89	CFM	12468	11950	11380	10742	9989	9024												
					BHP	1.62	1.73	1.83	1.91	1.97	2.00												
	TB-30E832	3	1095	93	CFM	14281	13834	13354	12834	12266	11621	10866											
					BHP	2.43	2.57	2.69	2.80	2.88	2.95	2.99											
TB-30E832	5	1298	98	CFM	16929	16555	16163	15750	15311	14845	14344	13790	13166										
				BHP	4.06	4.21	4.36	4.50	4.63	4.74	4.83	4.91	4.96										

NOTES:

1. Performance certified is for installation Type B: Free inlet, ducted outlet.
2. Power rating (BHP) does not include transmission losses.
3. Performance ratings do not include the effects of appurtenances (accessories).
4. The sound power level ratings shown are in decibels, referred to 10⁻¹² watts calculated per AMCA Standard 301.
5. Values shown are for inlet LwiA sound power levels for installation Type B: Free inlet, ducted outlet. Ratings do not include the effects of end correction.
6. Sound power values shown are at the peak cataloged pressure for each RPM.

Performance Data – Belt Driven

TB – Die Cast Aluminum Propeller

SIZE	NO. OF BLADES	CATALOG NUMBER	MOTOR HP	FAN RPM	LwiA		STATIC PRESSURE (IN. W.G.)															
							0.000	0.125	0.250	0.375	0.500	0.625	0.750	0.875	1.000	1.250	1.500					
48	4 BLADES	TB-48E432	1½	520	82	CFM	23604	20888	17559													
						BHP	1.29	1.43	1.50													
		TB-48E428	1½	559	83	CFM	23045	20614	17625													
						BHP	1.26	1.42	1.50													
		TB-48E420	1½	674	89	CFM	20935	18887	16335	13357												
						BHP	1.25	1.38	1.47	1.49												
		TB-48E432	2	572	86	CFM	25965	23515	20824	15748												
						BHP	1.72	1.88	1.98	1.88												
		TB-48E428	2	615	84	CFM	25353	23180	20618													
						BHP	1.68	1.87	1.98													
		TB-48E420	2	742	92	CFM	23047	21218	19026	16455	13536											
						BHP	1.67	1.82	1.93	2.00	1.97											
		TB-48E432	3	655	87	CFM	29732	27616	25383	22709												
						BHP	2.58	2.77	2.92	3.00												
		TB-48E428	3	704	88	CFM	29022	27156	25062	22641												
						BHP	2.52	2.74	2.90	2.99												
		TB-48E420	3	849	95	CFM	26371	24800	23022	20957	18655	16196										
						BHP	2.50	2.67	2.82	2.92	2.99	2.96										
		TB-48E432	5	776	93	CFM	35225	33455	31599	29696	27465	24305										
						BHP	4.29	4.53	4.73	4.87	4.97	4.96										
	TB-48E428	5	835	93	CFM	34423	32873	31200	29371	27326	25051											
					BHP	4.20	4.48	4.70	4.87	4.98	5.00											
	TB-48E420	5	1006	100	CFM	31247	29943	28530	26962	25216	23336	21331	19237									
					BHP	4.16	4.37	4.56	4.71	4.83	4.94	4.98	4.93									
	TB-48E432	7½	888	97	CFM	40309	38771	37177	35533	33858	31951	29530	25813									
					BHP	6.43	6.71	6.95	7.15	7.31	7.43	7.49	7.24									
	TB-48E428	7½	955	97	CFM	39370	38026	36605	35091	33464	31690	29793	27413									
					BHP	6.29	6.61	6.89	7.12	7.30	7.42	7.48	7.45									
	TB-48E420	7½	1153	104	CFM	35813	34685	33489	32212	30816	29299	27703	25998	24241	20103							
					BHP	6.26	6.51	6.73	6.94	7.11	7.25	7.37	7.47	7.50	7.34							
	TB-48E432	10	977	99	CFM	44349	42955	41520	40040	38542	37000	35255	33133	30349								
					BHP	8.56	8.87	9.15	9.39	9.60	9.76	9.89	9.97	9.88								
	TB-48E428	10	1052	100	CFM	43369	42155	40885	39549	38138	36637	35022	33314	31426								
					BHP	8.41	8.76	9.08	9.36	9.60	9.78	9.92	9.99	10.00								
	TB-48E420	10	1269	107	CFM	39416	38397	37327	36201	35004	33710	32327	30889	29368	26186	22427						
					BHP	8.35	8.62	8.87	9.11	9.32	9.50	9.65	9.79	9.92	9.99	9.80						
8 BLADES	TB-48E832	1½	450	81	CFM	21758	19832	16867														
					BHP	1.21	1.37	1.50														
	TB-48E832	2	495	83	CFM	23934	22228	19967														
					BHP	1.61	1.79	1.96														
	TB-48E832	3	566	87	CFM	27367	25914	24165	21780													
					BHP	2.41	2.62	2.82	2.97													
	TB-48E832	5	672	94	CFM	32492	31297	29953	28387	26422	22950											
					BHP	4.03	4.28	4.52	4.75	4.95	4.88											
	TB-48E832	7½	770	98	CFM	37230	36201	35080	33840	32434	30765	28437	24017									
					BHP	6.06	6.35	6.63	6.91	7.17	7.41	7.49	7.04									
	TB-48E832	10	847	100	CFM	40953	40024	39029	37954	36773	35455	33926	31960	28698								
					BHP	8.06	8.39	8.70	9.01	9.30	9.59	9.85	9.98	9.75								

NOTES:

1. Performance certified is for installation Type B: Free inlet, ducted outlet.
2. Power rating (BHP) does not include transmission losses.
3. Performance ratings do not include the effects of appurtenances (accessories).
4. The sound power level ratings shown are in decibels, referred to 10⁻¹² watts calculated per AMCA Standard 301.
5. Values shown are for inlet LwiA sound power levels for installation Type B: Free inlet, ducted outlet. Ratings do not include the effects of end correction.
6. Sound power values shown are at the peak cataloged pressure for each RPM.

Performance Data – Belt Driven

TB – Cast Aluminum Propeller

SIZE	NO. OF BLADES	CATALOG NUMBER	MOTOR HP	FAN RPM	LwIA	STATIC PRESSURE (IN. W.G.)																		
						0.000	0.125	0.250	0.375	0.500	0.625	0.750	0.875	1.000	1.250	1.500								
54	4	TB-54C320	1½	525	78	CFM	28592	23237	16476															
						BHP	1.45	1.50	1.39															
		TB-54C310	1½	659	83	CFM	26598	22728	18559															
						BHP	1.37	1.44	1.49															
		TB-54C320	2	578	82	CFM	31478	26659	21485															
						BHP	1.93	2.00	1.93															
		TB-54C310	2	725	88	CFM	29262	25910	21957	17198														
						BHP	1.82	1.89	1.97	1.98														
		TB-54C320	3	661	85	CFM	35999	31838	27468	22064														
						BHP	2.89	2.96	2.97	2.82														
		TB-54C310	3	830	93	CFM	33500	30678	27047	23986	19367													
						BHP	2.73	2.81	2.92	2.98	2.96													
	TB-54C320	5	784	90	CFM	42697	39226	35561	31911	27470														
					BHP	4.82	4.91	4.99	4.93	4.75														
	TB-54C310	5	984	98	CFM	39715	37402	34681	31527	29013	25618	21160												
					BHP	4.55	4.64	4.76	4.89	4.96	5.00	4.79												
	TB-54C320	7½	897	93	CFM	48852	45834	42697	39438	36279	32544	27003												
					BHP	7.21	7.33	7.42	7.49	7.38	7.18	6.87												
	TB-54C310	7½	1061	100	CFM	42823	40697	38300	35345	32777	30404	26847	22684											
					BHP	5.70	5.80	5.92	6.07	6.17	6.23	6.26	6.00											
	TB-54C320	10	988	96	CFM	53807	51077	48263	45338	42384	39529	36113	31474											
					BHP	9.64	9.76	9.87	9.98	9.98	9.83	9.61	9.30											
	TB-54C320	15	1061	98	CFM	57783	55245	52641	49953	47193	44492	41793	38477	34160										
					BHP	11.94	12.07	12.19	12.31	12.39	12.32	12.12	11.88	11.55										
	TB-54C625	1½	394	74	CFM	27948	23724																	
					BHP	1.41	1.49																	
	TB-54C620	1½	440	78	CFM	27067	23182	17724																
					BHP	1.31	1.45	1.49																
	TB-54C610	1½	543	85	CFM	24164	21658	18107	13665															
					BHP	1.19	1.34	1.45	1.49															
	TB-54C625	2	434	78	CFM	30785	26978	21638																
					BHP	1.88	1.99	1.96																
	TB-54C620	2	484	80	CFM	29774	26376	21994																
					BHP	1.75	1.91	1.99																
	TB-54C610	2	597	86	CFM	26566	24364	21131	17975															
					BHP	1.58	1.75	1.90	1.97															
	TB-54C625	3	496	83	CFM	35183	31885	28262	22728															
					BHP	2.81	2.95	2.99	2.88															
	TB-54C620	3	554	84	CFM	34080	31211	27568	23418															
					BHP	2.62	2.81	2.96	2.99															
TB-54C610	3	683	91	CFM	30394	28533	26073	23187	20294	15914														
				BHP	2.37	2.56	2.75	2.88	2.96	2.92														
TB-54C625	5	589	88	CFM	41780	39039	36156	32850	27962															
				BHP	4.71	4.88	4.98	5.00	4.86															
TB-54C620	5	657	90	CFM	40417	38063	35333	32079	28718	23384														
				BHP	4.38	4.60	4.80	4.95	4.99	4.83														
TB-54C610	5	811	96	CFM	36090	34567	32804	30477	28021	25855	22885	19116												
				BHP	3.96	4.19	4.42	4.63	4.80	4.90	5.00	4.91												
TB-54C625	7½	674	91	CFM	47809	45431	42936	40391	37318	32878														
				BHP	7.06	7.26	7.41	7.49	7.48	7.31														
TB-54C620	7½	752	93	CFM	46261	44236	41996	39399	36520	33651	29433													
				BHP	6.56	6.82	7.06	7.28	7.43	7.48	7.40													
TB-54C610	7½	928	99	CFM	41296	39986	38533	36870	34703	32516	30650	28573	25742											
				BHP	5.94	6.20	6.46	6.72	6.96	7.15	7.28	7.39	7.49											

NOTES:

1. Performance certified is for installation Type B: Free inlet, ducted outlet.
2. Power rating (BHP) does not include transmission losses.
3. Performance ratings do not include the effects of appurtenances (accessories).
4. The sound power level ratings shown are in decibels, referred to 10⁻¹² watts calculated per AMCA Standard 301.
5. Values shown are for inlet LwIA sound power levels for installation Type B: Free inlet, ducted outlet. Ratings do not include the effects of end correction.
6. Sound power values shown are at the peak cataloged pressure for each RPM.

Performance Data – Belt Driven

TB – Cast Aluminum Propeller

SIZE	NO. OF BLADES	CATALOG NUMBER	MOTOR HP	FAN RPM	LwiA		STATIC PRESSURE (IN. W.G.)												
							0.000	0.125	0.250	0.375	0.500	0.625	0.750	0.875	1.000	1.250	1.500		
54	6	TB-54C625	10	742	95	CFM	52632	50482	48245	45947	43569	40523	36408	32887					
						BHP	9.42	9.65	9.83	9.95	10.00	9.97	9.77	9.57					
		TB-54C620	10	828	96	CFM	50936	49112	47136	44951	42436	39827	37225	33741	29250				
						BHP	8.76	9.05	9.32	9.57	9.79	9.93	9.99	9.93	9.64				
		TB-54C610	10	1021	102	CFM	45434	44254	42972	41556	39909	37841	35868	34166	32408	27432			
						BHP	7.91	8.20	8.49	8.77	9.04	9.31	9.51	9.66	9.78	9.99			
		TB-54C625	15	849	97	CFM	60222	58351	56424	54435	52428	50369	48009	44749	41213				
						BHP	14.11	14.38	14.60	14.78	14.91	14.98	14.98	14.84	14.61				
		TB-54C620	15	948	100	CFM	58318	56739	55065	53275	51326	49143	46845	44611	42288	35134			
						BHP	13.15	13.48	13.80	14.10	14.38	14.64	14.84	14.95	14.99	14.66			
		TB-54C610	15	1061	104	CFM	47214	46082	44860	43525	42025	40150	38129	36408	34784	30653	24944		
						BHP	8.87	9.18	9.48	9.77	10.06	10.34	10.58	10.76	10.90	11.16	10.98		
60	4	TB-60C325	2	477	78	CFM	34251	28689											
						BHP	2.00	1.97											
		TB-60C320	2	522	82	CFM	34332	29236	21075										
						BHP	1.096	2.00	1.87										
		TB-60C310	2	652	91	CFM	32995	28449	22850										
						BHP	1.82	1.94	1.98										
		TB-60C325	3	546	82	CFM	39206	34459	27969										
						BHP	2.99	2.98	2.86										
		TB-60C320	3	597	87	CFM	39265	34983	29417										
						BHP	2.92	2.99	2.95										
		TB-60C310	3	747	95	CFM	37803	33903	29456	24314									
						BHP	2.74	2.88	3.00	2.94									
		TB-60C325	5	647	86	CFM	46458	42539	38154	31511									
						BHP	4.98	4.98	4.90	4.70									
		TB-60C320	5	708	89	CFM	46566	43069	38931	33822	25324								
						BHP	4.88	4.97	4.98	4.90	4.49								
		TB-60C310	5	886	99	CFM	44837	41602	38104	34128	29762								
						BHP	4.57	4.73	4.91	5.00	4.93								
		TB-60C325	7½	741	89	CFM	53208	49832	46172	41962	35534								
						BHP	7.48	7.50	7.44	7.31	7.04								
		TB-60C320	7½	811	93	CFM	53340	50341	46970	43048	38410	31319							
						BHP	7.33	7.45	7.50	7.46	7.36	6.93							
		TB-60C310	7½	955	101	CFM	48329	45344	42152	38685	34648	30703							
						BHP	5.72	5.90	6.08	6.25	6.24	6.12							
		TB-60C325	10	815	91	CFM	58521	55474	52205	48721	44351	37710							
						BHP	9.95	9.98	9.94	9.83	9.64	9.27							
		TB-60C320	10	892	96	CFM	58668	55966	53004	49676	45889	41446	34823						
						BHP	9.76	9.89	9.97	9.96	9.89	9.76	9.25						
		TB-60C325	15	933	96	CFM	66994	64354	61572	58645	55551	51835	46901						
						BHP	14.93	14.96	14.95	14.88	14.73	14.53	14.21						
		TB-60C320	15	955	98	CFM	62811	60301	57588	54604	51262	47531	43001	36380					
						BHP	11.97	12.12	12.21	12.24	12.19	12.10	11.88	11.26					

NOTES:

1. Performance certified is for installation Type B: Free inlet, ducted outlet.
2. Power rating (BHP) does not include transmission losses.
3. Performance ratings do not include the effects of appurtenances (accessories).
4. The sound power level ratings shown are in decibels, referred to 10⁻¹² watts calculated per AMCA Standard 301.
5. Values shown are for inlet LwiA sound power levels for installation Type B: Free inlet, ducted outlet. Ratings do not include the effects of end correction.
6. Sound power values shown are at the peak cataloged pressure for each RPM.

Performance Data – Belt Driven

TB – Cast Aluminum Propeller

SIZE	NO. OF BLADES	CATALOG NUMBER	MOTOR HP	FAN RPM	LwiA	STATIC PRESSURE (IN. W.G.)																
						0.000	0.125	0.250	0.375	0.500	0.625	0.750	0.875	1.000	1.250	1.500						
60	6	TB-60C625	2	392	80	CFM	34877	29367														
						BHP	1.88	1.99														
		TB-60C620	2	427	82	CFM	34113	29413	23681													
						BHP	1.78	1.94	1.97													
		TB-60C610	2	537	86	CFM	31534	27838	23488	18010												
						BHP	1.61	1.82	1.97	1.97												
		TB-60C625	3	449	84	CFM	39948	35284	29781													
						BHP	2.82	2.97	2.98													
		TB-60C620	3	489	87	CFM	39066	34930	30718													
						BHP	2.68	2.86	2.99													
		TB-60C610	3	615	90	CFM	36115	32939	29397	25259	20217											
						BHP	2.41	2.66	2.87	2.99	2.95											
		TB-60C625	5	532	90	CFM	47333	43495	39122	34292												
						BHP	4.69	4.88	4.99	4.94												
		TB-60C620	5	580	92	CFM	46336	42847	39432	35649	29733											
						BHP	4.47	4.69	4.88	5.00	4.84											
		TB-60C610	5	729	95	CFM	42809	40169	37330	34233	30744	26852	21659									
						BHP	4.02	4.32	4.59	4.81	4.96	4.98	4.80									
		TB-60C625	7½	609	94	CFM	54183	50876	47248	43214	38922											
						BHP	7.03	7.27	7.43	7.49	7.39											
		TB-60C620	7½	664	96	CFM	53047	49999	46965	44006	40553	35838										
						BHP	6.70	6.96	7.19	7.40	7.50	7.37										
		TB-60C610	7½	835	99	CFM	49034	46748	44336	41776	39027	36006	32725	29078	24038							
						BHP	6.04	6.39	6.70	7.00	7.25	7.43	7.50	7.45	7.16							
		TB-60C625	10	670	96	CFM	59611	56627	53419	49905	46163	42073										
						BHP	9.36	9.63	9.83	9.95	9.96	9.80										
		TB-60C620	10	731	99	CFM	58400	55631	52863	50170	47398	44109	39801									
						BHP	8.94	9.23	9.49	9.74	9.94	10.00	9.86									
		TB-60C610	10	919	102	CFM	53966	51899	49739	47475	45090	42546	39791	36838	33670							
						BHP	8.06	8.44	8.79	9.13	9.44	9.70	9.89	9.99	9.98							
		TB-60C625	15	767	100	CFM	68241	65655	62928	60028	56910	53634	50302	46053								
						BHP	14.05	14.36	14.62	14.81	14.94	14.95	14.84	14.49								
TB-60C620	15	837	103	CFM	66868	64450	62032	59621	57289	54895	52174	49048	44884									
				BHP	13.42	13.76	14.07	14.36	14.64	14.87	15.00	14.98	14.74									
TB-60C610	15	955	103	CFM	56080	54094	52026	49867	47605	45214	42648	39892	36974	29810								
				BHP	9.04	9.44	9.81	10.16	10.49	10.78	11.01	11.17	11.22	10.94								
TB-60C625	20	845	103	CFM	75180	72844	70405	67849	65142	62273	59292	56306	52875									
				BHP	18.78	19.13	19.43	19.68	19.87	19.99	20.00	19.90	19.64									
TB-60C620	20	921	105	CFM	73579	71381	69184	66987	64818	62707	60526	58099	55393	47721								
				BHP	17.88	18.26	18.61	18.93	19.24	19.54	19.81	19.97	20.00	19.43								
TB-60C625	25	910	104	CFM	80964	78801	76557	74222	71782	69208	66512	63739	60974	54001								
				BHP	23.46	23.84	24.17	24.46	24.69	24.87	24.97	24.97	24.87	24.10								
TB-60C620	25	955	106	CFM	76295	74176	72057	69938	67830	65788	63728	61521	59045	52980								
				BHP	19.94	20.33	20.69	21.03	21.36	21.67	21.97	22.19	22.30	22.07								

NOTES:

1. Performance certified is for installation Type B: Free inlet, ducted outlet.
2. Power rating (BHP) does not include transmission losses.
3. Performance ratings do not include the effects of appurtenances (accessories).
4. The sound power level ratings shown are in decibels, referred to 10⁻¹² watts calculated per AMCA Standard 301.
5. Values shown are for inlet LwiA sound power levels for installation Type B: Free inlet, ducted outlet. Ratings do not include the effects of end correction.
6. Sound power values shown are at the peak cataloged pressure for each RPM.

Performance Data – Belt Driven

TB – Fabricated Steel Propeller

SIZE	CATALOG NUMBER	MOTOR HP	FAN RPM	LwiA		STATIC PRESSURE (IN. W.G.)												
						0.000	0.125	0.250	0.375	0.500	0.625	0.750	0.875	1.000	1.250	1.500		
24	TB-24Z545	1/3	751	76	CFM	5810	4901											
					BHP	0.31	0.33											
	TB-24Z535	1/3	876	78	CFM	5237	4780	4027										
					BHP	0.28	0.31	0.33										
	TB-24Z545	1/2	860	80	CFM	6654	5818											
					BHP	0.47	0.49											
	TB-24Z535	1/2	1002	82	CFM	5990	5608	5065	4270									
					BHP	0.41	0.45	0.48	0.50									
	TB-24Z545	3/4	984	83	CFM	7613	6852	6238										
					BHP	0.71	0.74	0.75										
	TB-24Z535	3/4	1148	85	CFM	6863	6539	6141	5559	4817								
					BHP	0.62	0.67	0.71	0.74	0.75								
	TB-24Z545	1	1084	86	CFM	8387	7686	7119										
					BHP	0.94	0.98	1.00										
	TB-24Z535	1	1263	87	CFM	7550	7260	6921	6482	5898								
					BHP	0.83	0.88	0.92	0.96	0.99								
	TB-24Z545	1½	1240	89	CFM	9594	8971	8426	7957									
					BHP	1.41	1.46	1.48	1.50									
TB-24Z535	1½	1446	91	CFM	8644	8395	8117	7797	7389	6876	6341							
				BHP	1.24	1.30	1.35	1.40	1.45	1.48	1.50							
TB-24Z545	2	1366	91	CFM	10569	9998	9475	9044	8577									
				BHP	1.89	1.94	1.97	1.99	2.00									
TB-24Z535	2	1591	93	CFM	9511	9286	9042	8770	8457	8061	7591	7119						
				BHP	1.65	1.72	1.78	1.84	1.94	1.89	1.97	1.99						
TB-24Z545	3	1563	95	CFM	12093	11588	11118	10688	10322	9929								
				BHP	2.83	2.89	2.93	2.96	2.99	3.00								
TB-24Z535	3	1821	97	CFM	10886	10692	10485	10262	10020	9751	9431	9047	8631	7694				
				BHP	2.48	2.55	2.62	2.69	2.76	2.82	2.88	2.92	2.96	2.99				
30	TB-30Z545	1/2	664	79	CFM	8878	7437											
					BHP	0.47	0.50											
	TB-30Z535	1/2	791	82	CFM	8218	7394	6251										
					BHP	0.42	0.47	0.50										
	TB-30Z545	3/4	760	83	CFM	10162	9014											
					BHP	0.71	0.74											
	TB-30Z535	3/4	905	84	CFM	9403	8706	7809	6682									
					BHP	0.63	0.69	0.72	0.75									
	TB-30Z545	1	837	85	CFM	11192	10190	8626										
					BHP	0.95	0.99	0.99										
	TB-30Z535	1	996	89	CFM	10348	9726	8976	8038									
					BHP	0.84	0.90	0.95	0.98									
	TB-30Z545	1½	958	89	CFM	12809	11967	10845										
					BHP	1.42	1.47	1.50										
	TB-30Z535	1½	1141	91	CFM	11855	11322	10718	9991	9155	8118							
					BHP	1.26	1.33	1.40	1.45	1.48	1.50							
	TB-30Z545	2	1053	92	CFM	14080	13328	12404	11105									
					BHP	1.89	1.94	1.98	1.99									
TB-30Z535	2	1255	93	CFM	13039	12559	12030	11428	10713	9945	8993							
				BHP	1.68	1.76	1.83	1.89	1.94	1.98	2.00							
TB-30Z545	3	1207	95	CFM	16139	15497	14759	13851	12652									
				BHP	2.84	2.90	2.95	2.99	2.99									
TB-30Z535	3	1436	97	CFM	14920	14505	14059	13575	13034	12414	11747	11056	10122					
				BHP	2.52	2.61	2.70	2.78	2.84	2.89	2.94	2.98	2.99					
TB-30Z545	5	1431	100	CFM	19134	18602	18019	17368	16608	15674	14565							
				BHP	4.73	4.81	4.87	4.93	4.98	5.00	4.94							
TB-30Z535	5	1592	100	CFM	16541	16169	15775	15356	14905	14406	13848	13249	12643					
				BHP	3.43	3.53	3.63	3.72	3.81	3.88	3.94	3.99	4.04					

NOTES:

- Performance certified is for installation Type B: Free inlet, ducted outlet.
- Power rating (BHP) does not include transmission losses.
- Performance ratings do not include the effects of appurtenances (accessories).
- The sound power level ratings shown are in decibels, referred to 10⁻¹² watts calculated per AMCA Standard 301.
- Values shown are for inlet LwiA sound power levels for installation Type B: Free inlet, ducted outlet. Ratings do not include the effects of end correction.
- Sound power values shown are at the peak cataloged pressure for each RPM.

Performance Data – Belt Driven

TB – Fabricated Steel Propeller

SIZE	CATALOG NUMBER	MOTOR HP	FAN RPM	LwiA		STATIC PRESSURE (IN. W.G.)															
						0.000	0.125	0.250	0.375	0.500	0.625	0.750	0.875	1.000	1.250	1.500					
36	TB-36Z545	3/4	561	80	CFM	12962	10939														
					BHP	0.71	0.75														
	TB-36Z535	3/4	668	83	CFM	11993	10826	9217													
					BHP	0.63	0.70	0.74													
	TB-36Z545	1	617	83	CFM	14256	12535														
					BHP	0.94	0.99														
	TB-36Z535	1	735	84	CFM	13196	12160	10804	9003												
					BHP	0.84	0.92	0.97	1.00												
	TB-36Z545	1½	707	86	CFM	16335	14919	12742													
					BHP	1.42	1.48	1.49													
	TB-36Z535	1½	842	90	CFM	15117	14235	13183	11862												
					BHP	1.26	1.35	1.43	1.48												
	TB-36Z545	2	778	89	CFM	17976	16724	15008													
					BHP	1.89	1.96	2.00													
	B-36Z535	2	926	92	CFM	16625	15834	14931	13826	12576											
					BHP	1.68	1.78	1.87	1.93	1.98											
TB-36Z545	3	890	93	CFM	20563	19499	18203	16401													
				BHP	2.83	2.91	2.97	2.99													
TB-36Z535	3	1060	94	CFM	19031	18350	17601	16754	15753	14665	13410										
				BHP	2.52	2.64	2.74	2.83	2.90	2.96	3.00										
TB-36Z545	5	1056	97	CFM	24399	23524	22534	21361	19852	17929											
				BHP	4.73	4.82	4.90	4.97	5.00	4.88											
TB-36Z535	5	1257	99	CFM	22568	22001	21396	20746	20036	19230	18339	17420	16431								
				BHP	4.20	4.34	4.47	4.60	4.71	4.79	4.86	4.93	4.99								
TB-36Z545	7½	1208	101	CFM	27911	27156	26331	25413	24350	23053	21510										
				BHP	7.09	7.19	7.29	7.37	7.44	7.49	7.42										
42	TB-42Z545	1	448	79	CFM	17696	15262														
					BHP	0.92	0.99														
	TB-42Z530	1	593	84	CFM	15342	14089	12275													
					BHP	0.78	0.88	0.97													
	TB-42Z545	1½	512	82	CFM	20225	18208														
					BHP	1.38	1.46														
	TB-42Z530	1½	679	88	CFM	17567	16508	15149	13431												
					BHP	1.17	1.28	1.40	1.48												
	TB-42Z545	2	564	85	CFM	22279	20499	18085													
					BHP	1.84	1.94	2.00													
	TB-42Z530	2	746	91	CFM	19301	18352	17224	15705	14171											
					BHP	1.56	1.68	1.80	1.92	1.98											
	TB-42Z545	3	645	88	CFM	25478	23966	22126	19515												
					BHP	2.75	2.87	2.96	2.97												
	TB-42Z530	3	855	95	CFM	22121	21308	20392	19297	17917	16026	14814									
					BHP	2.34	2.48	2.62	2.76	2.90	2.99	2.99									
TB-42Z545	5	765	92	CFM	30218	28974	27564	25910	23741												
				BHP	4.59	4.73	4.86	4.96	4.99												
TB-42Z530	5	1014	99	CFM	26234	25560	24830	24027	23113	21518	20816	19715	18423								
				BHP	3.91	4.07	4.24	4.40	4.57	4.81	4.88	4.96	5.00								
TB-42Z545	7½	875	95	CFM	34563	33490	32316	31007	29514	26769											
				BHP	6.87	7.03	7.18	7.31	7.43	7.44											
TB-42Z530	7½	1137	102	CFM	29416	28820	28185	27505	26768	25571	24968	23904	22891	20742							
				BHP	5.51	5.69	5.88	6.06	6.24	6.51	6.63	6.81	6.93	7.05							
TB-42Z545	10	963	97	CFM	38039	37071	36031	34901	33654	31623	30562										
				BHP	9.16	9.34	9.51	9.66	9.80	9.96	9.98										

NOTES:

1. Performance certified is for installation Type B: Free inlet, ducted outlet.
2. Power rating (BHP) does not include transmission losses.
3. Performance ratings do not include the effects of appurtenances (accessories).
4. The sound power level ratings shown are in decibels, referred to 10⁻¹² watts calculated per AMCA Standard 301.
5. Values shown are for inlet LwiA sound power levels for installation Type B: Free inlet, ducted outlet. Ratings do not include the effects of end correction.
6. Sound power values shown are at the peak cataloged pressure for each RPM.

Performance Data – Belt Driven

TB – Fabricated Steel Propeller

SIZE	CATALOG NUMBER	MOTOR HP	FAN RPM	LwiA		STATIC PRESSURE (IN. W.G.)												
						0.000	0.125	0.250	0.375	0.500	0.625	0.750	0.875	1.000	1.250	1.500		
48	TB-48Z545	1½	438	82	CFM	23988	20639											
					BHP	1.42	1.50											
	TB-48Z535	1½	521	86	CFM	22172	20198	17521										
					BHP	1.26	1.39	1.47										
	TB-48Z545	2	482	85	CFM	26398	23522											
					BHP	1.90	1.98											
	TB-48Z535	2	573	86	CFM	24385	22628	20389	17607									
					BHP	1.68	1.82	1.93	1.99									
	TB-48Z545	3	551	88	CFM	30177	27782	24270										
					BHP	2.83	2.94	2.99										
	TB-48Z535	3	656	89	CFM	27917	26417	24663	22463	19952								
					BHP	2.52	2.68	2.83	2.92	2.99								
	TB-48Z545	5	653	93	CFM	35764	33821	31421	28027									
					BHP	4.72	4.85	4.95	4.96									
	TB-48Z535	5	802	95	CFM	34131	32931	31615	30134	28385	26472	24337						
					BHP	4.60	4.81	5.00	5.17	5.29	5.39	5.47						
TB-48Z545	7½	748	96	CFM	40966	39307	37393	35022	31886									
				BHP	7.09	7.24	7.37	7.47	7.44									
TB-48Z535	7½	891	99	CFM	37918	36847	35696	34444	33039	31429	29705	27902						
				BHP	6.30	6.54	6.76	6.96	7.13	7.26	7.37	7.48						
TB-48Z545	10	823	99	CFM	45074	43582	41915	39985	37576	34579								
				BHP	9.44	9.61	9.76	9.88	9.98	9.88								
TB-48Z535	10	981	102	CFM	41748	40782	39757	38663	37483	36167	34697	33134	31549					
				BHP	8.41	8.67	8.92	9.15	9.36	9.54	9.68	9.80	9.93					
TB-54Z545	1½	330	78	CFM	28249	23759												
				BHP	1.39	1.49												
TB-54Z530	1½	435	84	CFM	24568	22084	19091											
				BHP	1.20	1.35	1.48											
TB-54Z545	2	363	81	CFM	31074	27032												
				BHP	1.85	1.97												
TB-54Z530	2	478	87	CFM	26996	24768	22206	18877										
				BHP	1.59	1.76	1.91	2.00										
TB-54Z545	3	416	84	CFM	35611	32120	27904											
				BHP	2.78	2.93	2.99											
TB-54Z530	3	547	90	CFM	30893	28975	26857	24436	21285									
				BHP	2.38	2.58	2.76	2.92	3.00									
TB-54Z545	5	493	88	CFM	42202	39311	36235	31711										
				BHP	4.63	4.82	4.95	4.91										
TB-54Z530	5	649	95	CFM	36654	35059	33352	31515	29485	27185								
				BHP	3.98	4.21	4.43	4.65	4.85	4.98								
TB-54Z545	7½	564	93	CFM	48280	45779	43105	40374										
				BHP	6.94	7.16	7.33	7.46										
TB-54Z530	7½	742	98	CFM	41907	40522	39066	37527	35899	34140	32204	29962						
				BHP	5.95	6.21	6.47	6.72	6.97	7.20	7.37	7.48						
TB-54Z545	10	621	95	CFM	53159	50901	48514	46067	43402									
				BHP	9.26	9.51	9.72	9.88	9.97									
TB-54Z530	10	817	100	CFM	46143	44890	43586	42223	40795	39296	37694	35954	34067					
				BHP	7.95	8.23	8.52	8.79	9.07	9.34	9.59	9.80	9.94					
TB-54Z545	15	711	98	CFM	60864	58904	56861	54726	52600	50332	47009							
				BHP	13.90	14.19	14.45	14.66	14.84	14.96	14.85							
TB-54Z530	15	884	103	CFM	49927	48773	47578	46339	45051	43710	42310	40823	39223	35550				
				BHP	10.07	10.38	10.68	10.99	11.28	11.58	11.87	12.15	12.37	12.65				

NOTES:

1. Performance certified is for installation Type B: Free inlet, ducted outlet.
2. Power rating (BHP) does not include transmission losses.
3. Performance ratings do not include the effects of appurtenances (accessories).
4. The sound power level ratings shown are in decibels, referred to 10⁻¹² watts calculated per AMCA Standard 301.
5. Values shown are for inlet LwiA sound power levels for installation Type B: Free inlet, ducted outlet. Ratings do not include the effects of end correction.
6. Sound power values shown are at the peak cataloged pressure for each RPM.

Performance Data – Belt Driven

TB – Fabricated Steel Propeller

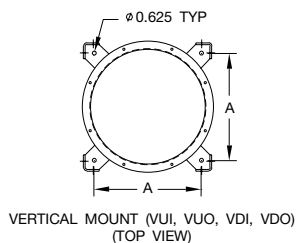
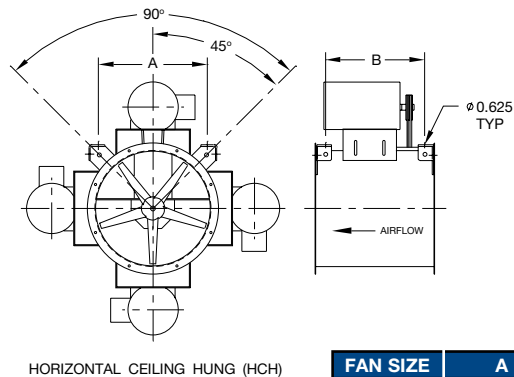
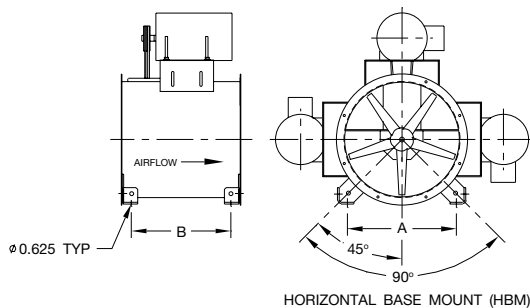
SIZE	CATALOG NUMBER	MOTOR HP	FAN RPM	LwiA		STATIC PRESSURE (IN. W.G.)														
						0.000	0.125	0.250	0.375	0.500	0.625	0.750	0.875	1.000	1.250	1.500				
60	TB-60Z545	2	321	81	CFM	35565	30193													
					BHP	1.85	1.98													
	TB-60Z530	2	426	85	CFM	31144	28423	24566												
					BHP	1.63	1.80	1.96												
	TB-60Z545	3	368	84	CFM	40772	36414													
					BHP	2.79	2.95													
	TB-60Z530	3	488	89	CFM	35676	33377	30431	26761											
					BHP	2.45	2.64	2.84	2.98											
	TB-60Z545	5	436	89	CFM	48306	44818	40152												
					BHP	4.65	4.84	4.98												
	TB-60Z530	5	579	94	CFM	42329	40444	38276	35547	32452	28838									
					BHP	4.09	4.32	4.55	4.79	4.95	4.99									
	TB-60Z545	7½	499	93	CFM	55286	52320	48739	43865											
					BHP	6.96	7.19	7.38	7.46											
	TB-60Z530	7½	663	98	CFM	48470	46848	45057	43021	40525	37817	35000	30977							
					BHP	6.15	6.41	6.67	6.93	7.20	7.40	7.49	7.43							
	TB-60Z545	10	549	95	CFM	60825	58168	55098	51319	46169										
					BHP	9.27	9.53	9.75	9.93	9.83										
	TB-60Z530	10	729	100	CFM	53295	51832	50248	48508	46515	44154	41691	39183	36033						
					BHP	8.17	8.46	8.75	9.03	9.33	9.62	9.84	9.94	9.95						
TB-60Z545	15	629	99	CFM	69689	67405	64876	61999	58561	54182										
				BHP	13.95	14.24	14.51	14.74	14.94	14.88										
TB-60Z530	15	796	103	CFM	58193	56861	55440	53910	52239	50319	48124	45864	43609	37582						
				BHP	10.64	10.95	11.26	11.58	11.89	12.22	12.54	12.78	12.92	12.88						
TB-60Z545	20	693	101	CFM	76780	74724	72495	70040	67268	64009	60000									
				BHP	18.65	18.98	19.29	19.56	19.80	20.00	19.92									
TB-60Z545	25	746	103	CFM	82652	80752	78719	76518	74100	71375	68206	64396								
				BHP	23.27	23.62	23.96	24.27	25.54	24.80	24.97	24.84								

NOTES:

1. Performance certified is for installation Type B: Free inlet, ducted outlet.
2. Power rating (BHP) does not include transmission losses.
3. Performance ratings do not include the effects of appurtenances (accessories).
4. The sound power level ratings shown are in decibels, referred to 10⁻¹² watts calculated per AMCA Standard 301.
5. Values shown are for inlet LwiA sound power levels for installation Type B: Free inlet, ducted outlet. Ratings do not include the effects of end correction.
6. Sound power values shown are at the peak cataloged pressure for each RPM.

Dimensional Data

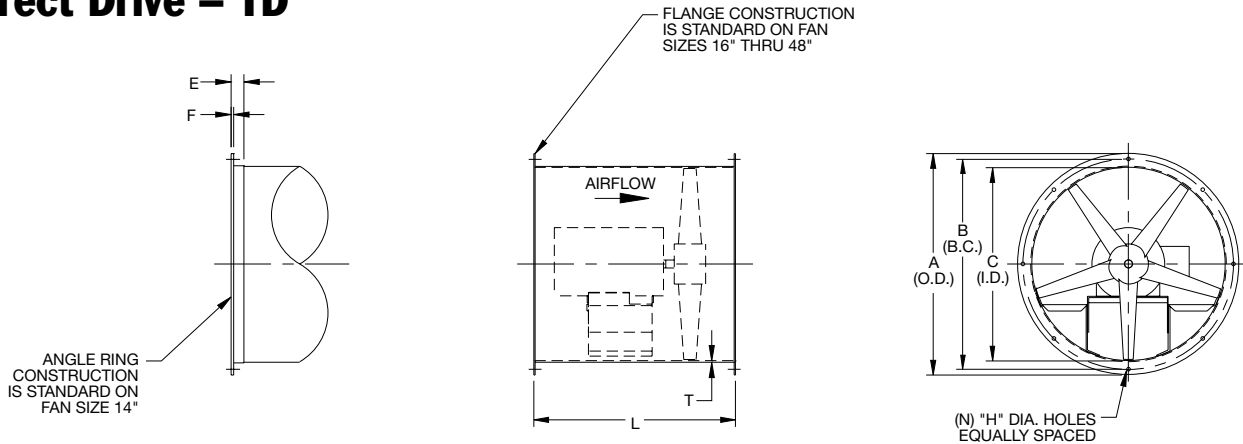
Mounting Brackets



FAN SIZE	A	B
14	14.44	15.25
16	15.88	15.25
18	17.25	15.25
21	19.25	17.25
24	21.50	17.25
30	25.75	22.25
36	30.38	23.25
42	34.75	27.25
48	39.00	31.25
54	43.75	36.25
60	47.88	36.25

Dimensional Data

Direct Drive – TD

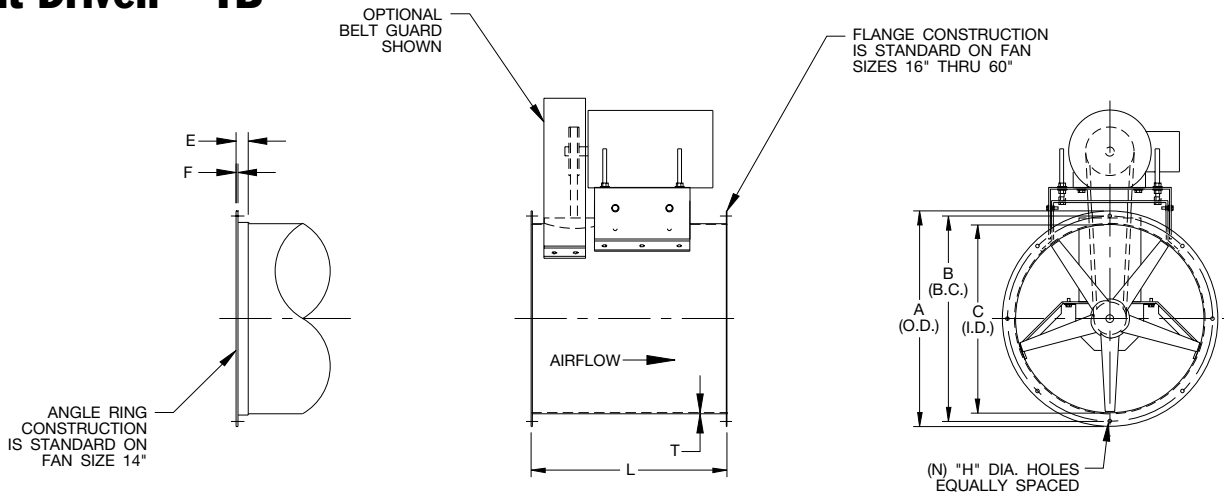


SIZE	A	B	C	H	L	N	E	F	T	MAX. HP	MAX. FRAME
14	16 ⁷ / ₈	15 ⁷ / ₈	14 ¹ / ₄	1 ¹ / ₃₂	19	8	1.25	0.105	14 GA.	3/4	56
16	18 ⁷ / ₈	17 ⁷ / ₈	16 ¹ / ₈	1 ¹ / ₃₂	19	8	FLANGED		14 GA.	1	143T
18	20 ⁷ / ₈	19 ⁷ / ₈	18 ¹ / ₄	1 ¹ / ₃₂	19	8	FLANGED		14 GA.	1	145T
21	24	22 ⁷ / ₈	21 ¹ / ₄	7 ¹ / ₁₆	21	8	FLANGED		14 GA.	1 ¹ / ₂	145T
24	27	25 ⁷ / ₈	24 ¹ / ₄	7 ¹ / ₁₆	21	8	FLANGED		14 GA.	3	184T
30	33 ¹ / ₂	32	30 ³ / ₈	7 ¹ / ₁₆	26	8	FLANGED		14 GA.	5	184T
36	40	38 ³ / ₈	36 ¹ / ₂	7 ¹ / ₁₆	27	16	FLANGED		12 GA.	10	215T
42	46	44 ⁵ / ₈	42 ³ / ₄	9 ¹ / ₁₆	31	16	FLANGED		12 GA.	10	256T
48	52	50 ⁵ / ₈	48 ⁵ / ₈	9 ¹ / ₁₆	35	16	FLANGED		12 GA.	10	256T

Dimensions shown are in inches unless otherwise indicated.

Dimensions are not to be used for construction.

Belt Driven – TB



SIZE	A	B	C	H	L	N	E	F	T	SHAFT SIZE	MAX. FRAME
14	16 ⁷ / ₈	15 ⁷ / ₈	14 ¹ / ₄	1 ¹ / ₃₂	19	8	1.25	0.105	14 GA.	3/4	56
16	18 ⁷ / ₈	17 ⁷ / ₈	16 ¹ / ₈	1 ¹ / ₃₂	19	8	FLANGED		14 GA.	3/4	143T
18	20 ⁷ / ₈	19 ⁷ / ₈	18 ¹ / ₄	1 ¹ / ₃₂	19	8	FLANGED		14 GA.	3/4	145T
21	24	22 ⁷ / ₈	21 ¹ / ₄	7 ¹ / ₁₆	21	8	FLANGED		14 GA.	3/4	145T
24	27	25 ⁷ / ₈	24 ¹ / ₄	7 ¹ / ₁₆	21	8	FLANGED		14 GA.	1	184T
30	33 ¹ / ₂	32	30 ³ / ₈	7 ¹ / ₁₆	26	8	FLANGED		14 GA.	1	213T
36	40	38 ³ / ₈	36 ¹ / ₂	7 ¹ / ₁₆	27	16	FLANGED		12 GA.	1 ³ / ₁₆	215T
42	46	44 ⁵ / ₈	42 ³ / ₄	9 ¹ / ₁₆	31	16	FLANGED		12 GA.	1 ⁷ / ₁₆	215T
48	52	50 ⁵ / ₈	48 ⁵ / ₈	9 ¹ / ₁₆	35	16	FLANGED		12 GA.	1 ⁷ / ₁₆	254T
54	59	57 ¹ / ₄	54 ⁵ / ₈	5 ⁸ / ₁₆	40	16	FLANGED		12 GA.	1 ⁷ / ₁₆	256T
60	65	63 ¹ / ₄	60 ⁵ / ₈	5 ⁸ / ₁₆	40	16	FLANGED		10 GA.	1 ¹¹ / ₁₆	284T

Dimensions shown are in inches unless otherwise indicated.

Dimensions are not to be used for construction.

Typical Specifications

Type TD – Direct Drive

Tubeaxial fans shall be Type TD direct drive as manufactured by Twin City Fan & Blower, Minneapolis, Minnesota.

PERFORMANCE — Fans shall be tested in accordance with AMCA 210 and AMCA 300 test codes for air moving devices and shall be guaranteed by the manufacturer to deliver rated published performance levels. Fans shall be licensed to bear the AMCA certified ratings seal for both sound and air.

CONSTRUCTION — Housings shall be constructed of heavy gauge, continuously welded steel to prevent air leakage. Housings shall include punched inlet and outlet flanges for duct mounting. Motor supports shall be constructed of heavy-gauge steel and shall be suitably braced to prevent vibration or pulsation.

PROPELLERS — Propellers shall be constructed of cast aluminum blades and hubs. Propellers shall be secured to the motor shaft with a taperlock bushing.

MOTORS — All motors shall be split phase and capacitor start single phase or three phase induction, permanently lubricated, heavy-duty, ball bearing type, closely matched to the fan load and provided at the voltage, phase, hertz, and enclosure as provided on the fan schedule.

FINISH AND COATING — The entire fan assembly, excluding the shaft, shall be thoroughly degreased and deburred before application of a rust-preventative primer. After the fan is completely assembled, a finish coat of paint shall be applied to the entire assembly. Aluminum components shall be unpainted.

ACCESSORIES — When specified, accessories such as shaft seals, inlet bells, inlet and outlet guards, mounting brackets, vibration isolators and disconnect switches shall be provided by Twin City Fan to maintain one source responsibility.

FACTORY RUN TEST — All fans prior to shipment shall be completely assembled and test run as a unit at operating speed or maximum RPM allowed for the particular construction type. Each propeller shall be statically and dynamically balanced in accordance with ANSI/AMCA 204-96 “Balance Quality and Vibration Levels for Fans” to Fan Application Category BV-3, Balance Quality Grade G6.3. Balance readings shall be taken by electronic type equipment in the axial, vertical, and horizontal directions. Records shall be maintained and a written copy shall be available upon request.

GUARANTEE — The manufacturer shall guarantee the workmanship and materials for its TD tubeaxial fans for at least one (1) year from startup or eighteen (18) months from shipment, whichever occurs first.

Typical Specifications

Type TB – Belt Driven

Tubeaxial fans shall be Type TB belt driven as manufactured by Twin City Fan & Blower, Minneapolis, Minnesota.

PERFORMANCE — Fans shall be tested in accordance with AMCA 210 and AMCA 300 test codes for air moving devices and shall be guaranteed by the manufacturer to deliver rated published performance levels. Fans shall be licensed to bear the AMCA certified ratings seal for both sound and air.

CONSTRUCTION — Housings shall be constructed of heavy gauge, continuously welded steel to prevent air leakage. Housings shall include punched inlet and outlet flanges for duct mounting. Motor and bearing supports shall be constructed of heavy-gauge steel and shall be suitably braced to prevent vibration or pulsation.

PROPELLERS — Propellers shall be constructed of fabricated steel or cast aluminum blades and hubs. Propellers shall be secured to the fan shaft with a taperlock bushing.

SHAFTS — Shafts shall be AISI 1045 cold rolled steel, accurately turned, ground, polished, and ring gauged for accuracy. Shafts shall be sized for the first critical speed of at least 1.43 times the maximum speed.

BEARINGS — Bearings are to be pillow block, heavy-duty, anti-friction, self-aligning, grease lubricated, ball type. Each fan's bearings are sized with a minimum average life, per AFBMA, in excess of 200,000 hours when operating at the maximum RPM of the fan size.

DRIVES — Motor sheaves shall be cast iron, and supplied as either variable pitch or fixed pitch. Drives and belts shall be rated for a minimum of 150% of the required motor HP.

MOTORS — All motors shall be single phase or three phase induction, permanently lubricated, heavy-duty, ball bearing type, closely matched to the fan load and provided at the voltage, phase, hertz, and enclosure as provided on the fan schedule.

FINISH AND COATING — The entire fan assembly, excluding the shaft, shall be thoroughly degreased and deburred before application of a rust-preventative primer. After the fan is completely assembled, a finish coat of paint shall be applied to the entire assembly. The fan shaft shall be coated with a petroleum-based rust protectant. Aluminum components shall be unpainted.

ACCESSORIES — When specified, accessories such as belt guards, motor covers, shaft seals, inlet bells, inlet and outlet guards, mounting brackets, vibration isolators and disconnect switches shall be provided by Twin City Fan to maintain one source responsibility.

FACTORY RUN TEST — All fans prior to shipment shall be completely assembled and test run as a unit at operating speed or maximum RPM allowed for the particular construction type. Each propeller shall be statically and dynamically balanced in accordance with ANSI/AMCA 204-96 "Balance Quality and Vibration Levels for Fans" to Fan Application Category BV-3, Balance Quality Grade G6.3. Balance readings shall be taken by electronic type equipment in the axial, vertical, and horizontal directions on each of the bearings. Records shall be maintained and a written copy shall be available upon request.

GUARANTEE — The manufacturer shall guarantee the workmanship and materials for its TB tubeaxial fans for at least one (1) year from startup or eighteen (18) months from shipment, whichever occurs first.

Unlimited Options...

Commercial Fans

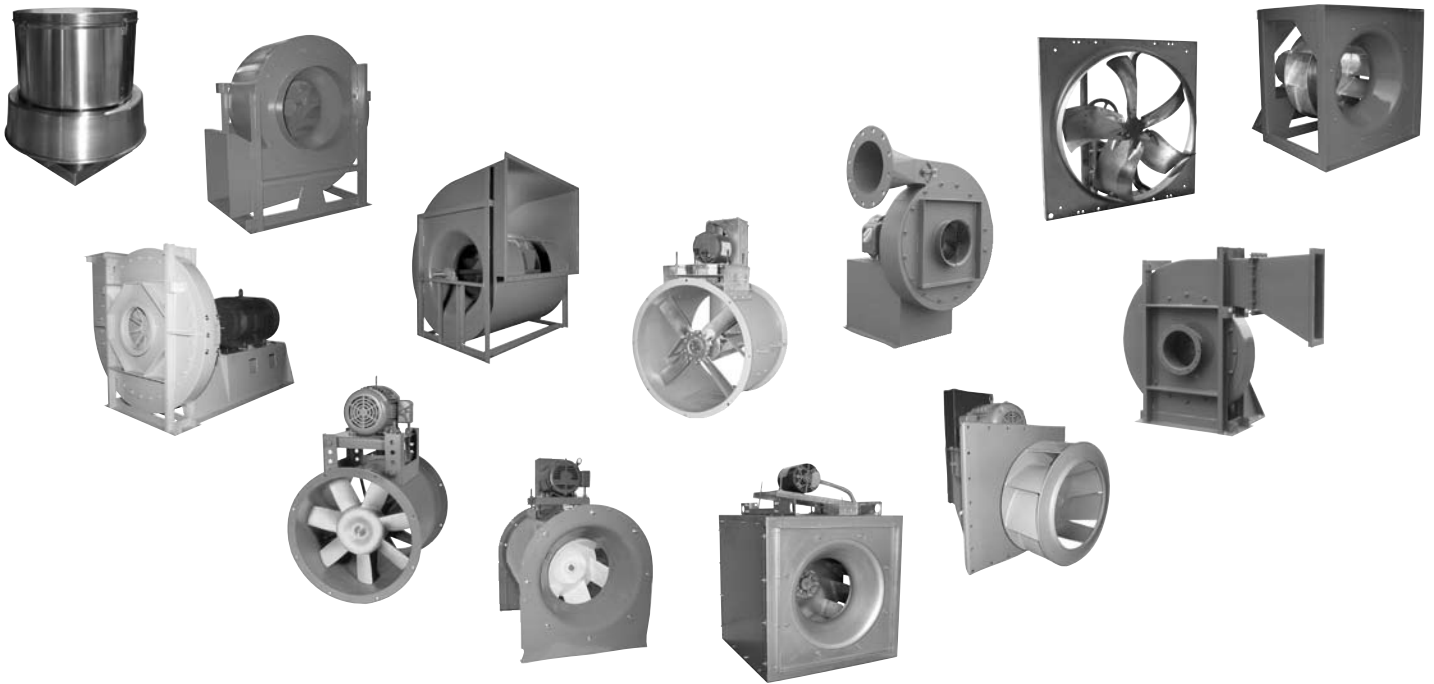
Centrifugal Fans • Utility Sets • Inline Centrifugal Fans • Plenum Fans
Radial Bladed Fans • Centrifugal Roof & Wall Exhausters • Filtered Supply Fans
Gravity Relief Ventilators • Ceiling & Cabinet Ventilators • Propeller Wall Fans
Tubeaxial Fans • Vaneaxial Fans • Propeller Roof Ventilators
Fume Hood/Smoke & Heat Exhaust Fans • Mancoolers • Fiberglass Fans

Industrial Fans

Centrifugal Fans • Forward Curved & Air Kit Components • Inline Centrifugal Fans
Plug Fans • Radial Bladed Fans • Radial Tip & High Efficiency Fans
Pressure Blowers • Tubeaxial Fans • Vaneaxial Fans

Custom Design Fans

Easy Access Fans • Insulated Fans • Inlet Boxes - Integral and Detached
Inlet Box Dampers • Independent Bearing Pedestals • Split Housings • Bolted Housings
Spark Resistant Construction • Ultra Fine Balancing • Modified Widths and Diameters
Variable Frequency Drives • API Specifications • Special Materials • Anti-Rotation Devices
Sleeve Oil Bearings • Volume Control Dampers • Inlet Vane Control with External Mechanisms



...One Solution.



5959 TRENTON LANE NORTH • MINNEAPOLIS, MN 55442-3237

PHONE: 763-551-7600 • FAX: 763-551-7601

WWW.TCF.COM